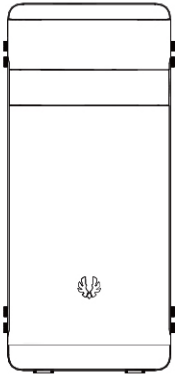


# SHOGUN

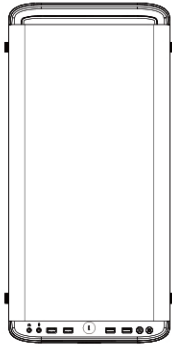
Quick Installation Guide

# Contents

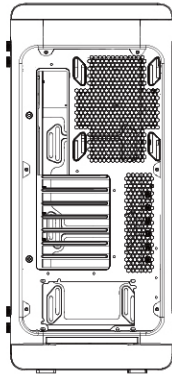
- **Shogun Chassis**
- **Shogun Quick Installation Guide**
  - Accessory:
    - ⊕ 6 x Cable Ties
    - ⊕ 1 x E-ATX extended bracket
    - ⊕ 2 x SSD Chroma box (LED PCB & cable included)
  - Screws:
    - ⊕ 50 x M3 x 5mm ( For MB, 2.5"SSD & 3.5"HDD)
    - ⊕ 3 x Motherboard Black Standoff
    - ⊕ 2 x #6-32 captive thumbscrews x 2(For HDD cage)
    - ⊕ 6 x #6-32 thumbscrew x 6(For GPU Safe for VGA card holder)
    - ⊕ 6 x 6\*6 Standard Screw (For PSU)



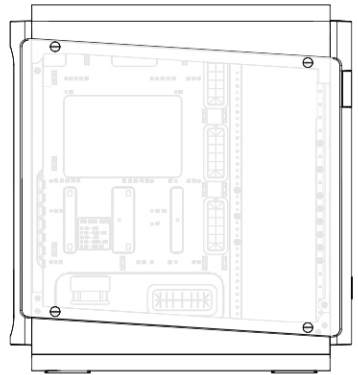
Front



Top



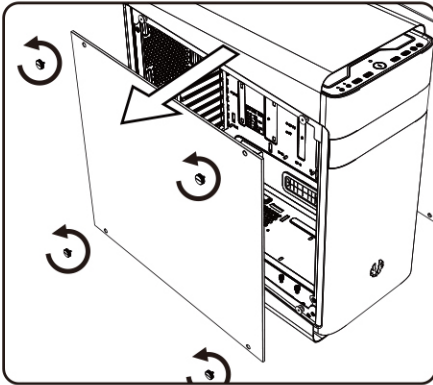
Back



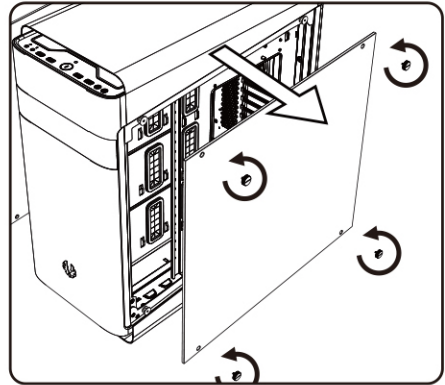
Side

## Remove Panels

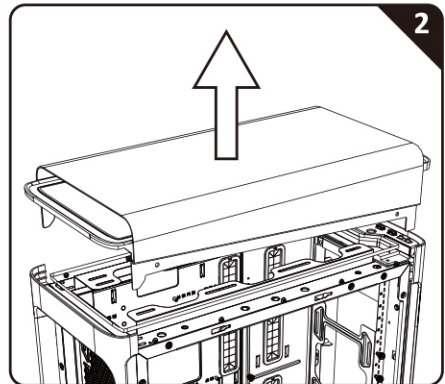
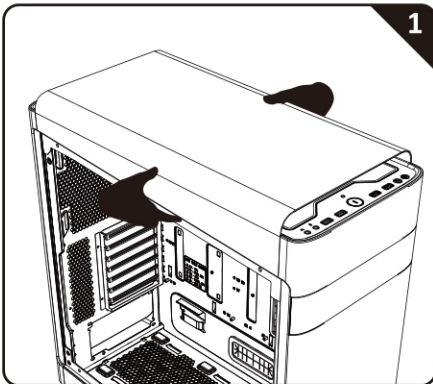
Side Panel (Right)

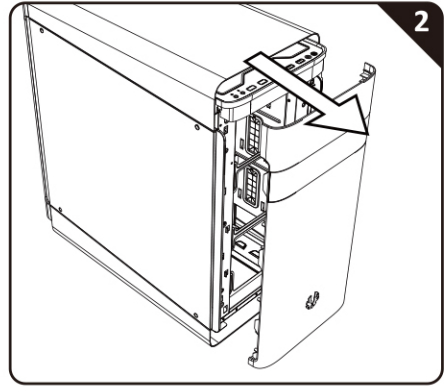
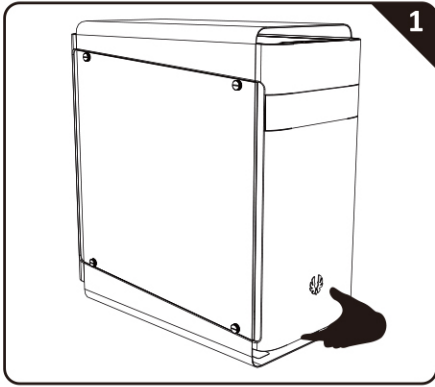
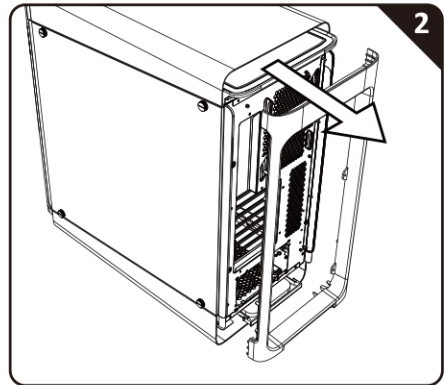
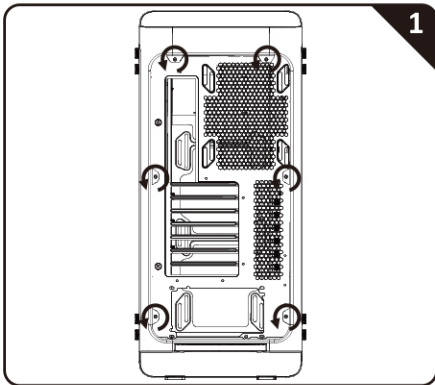
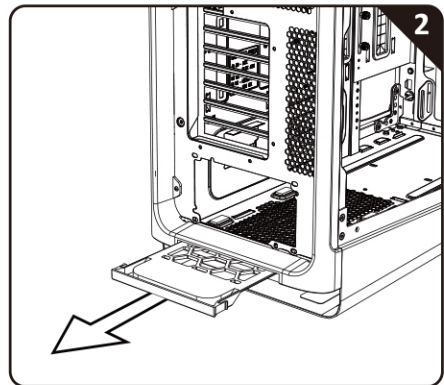
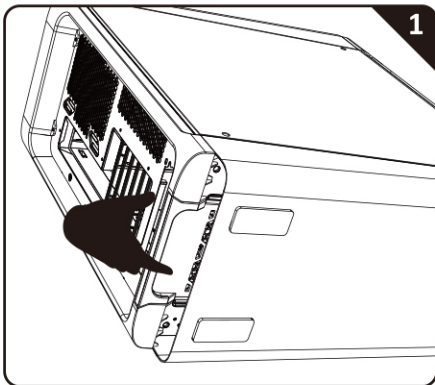


Side Panel (Left)



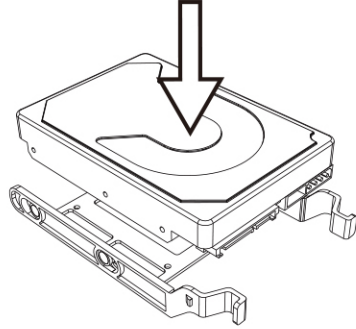
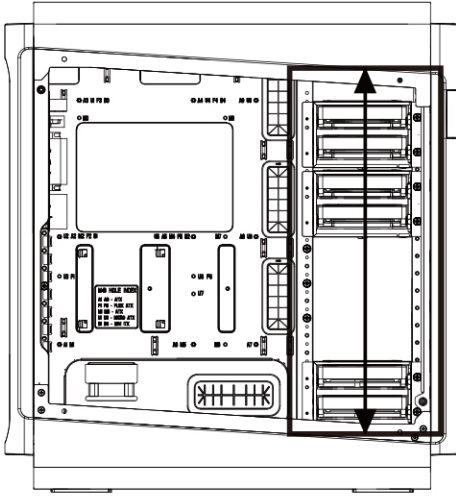
TOP



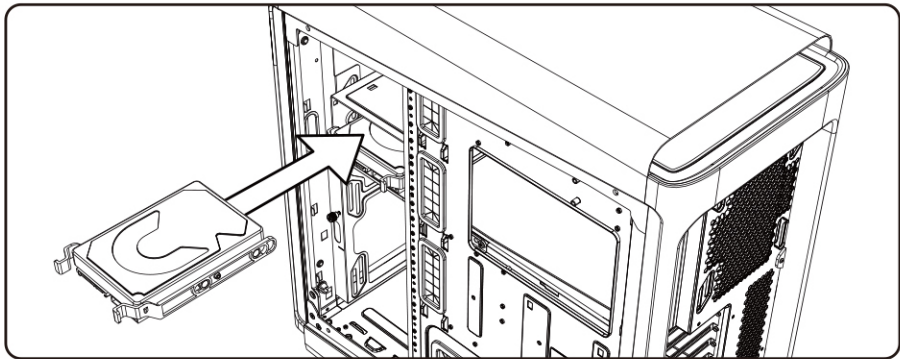
**FRONT****BACK****Remove Filter**



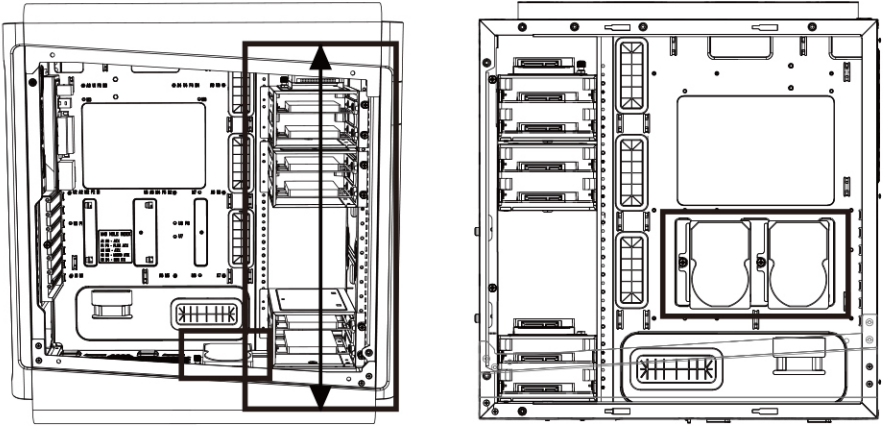
## 3.5" Drives Location



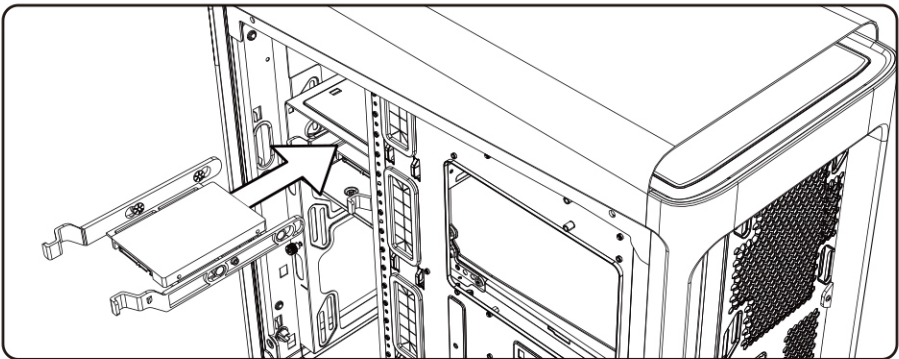
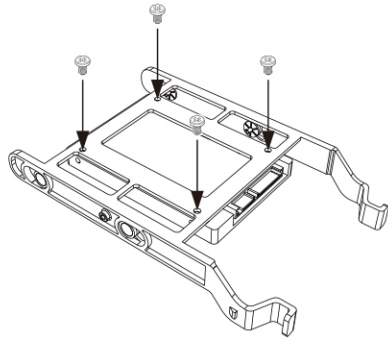
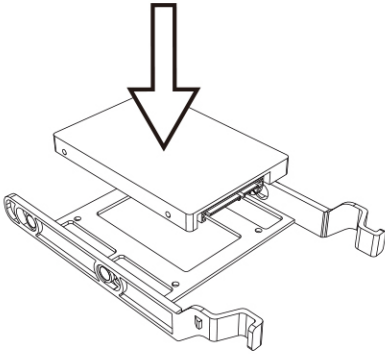
## Installing 3.5" Drives

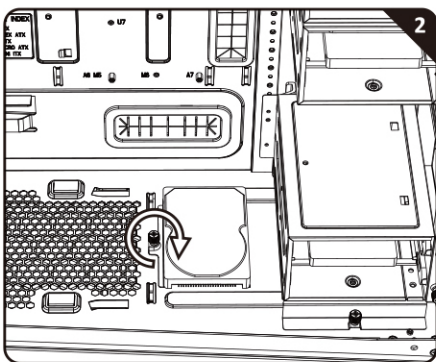
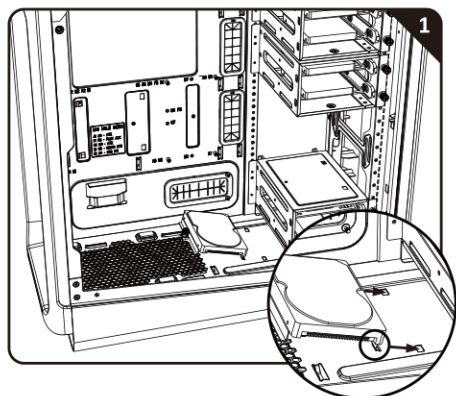
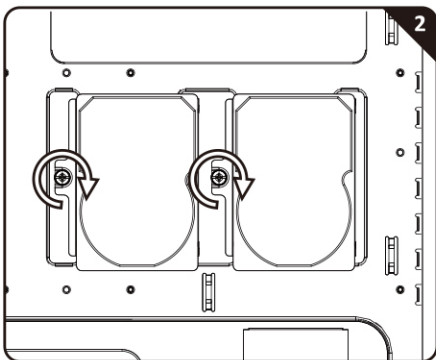
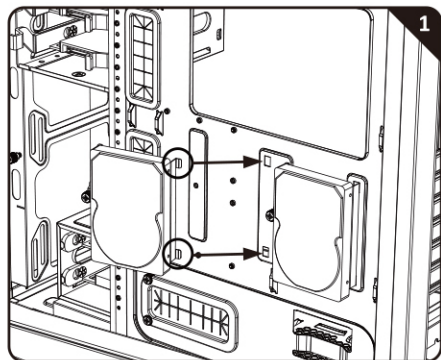
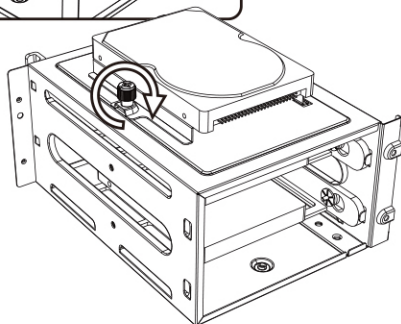
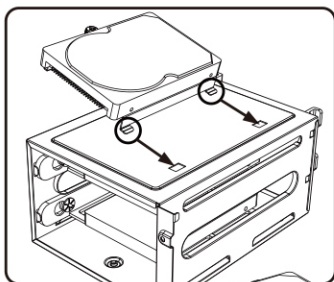
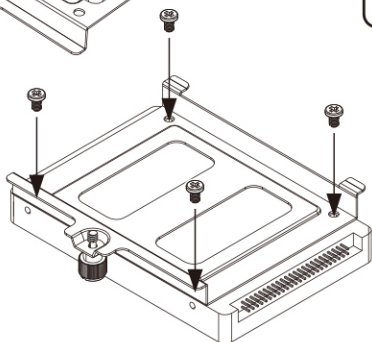
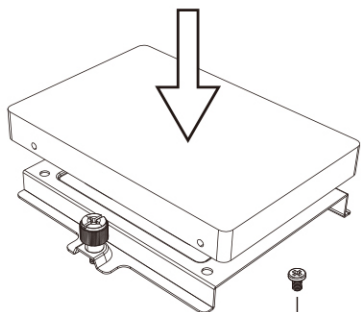


## 2.5" Drives Location

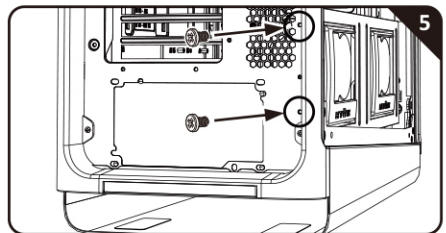
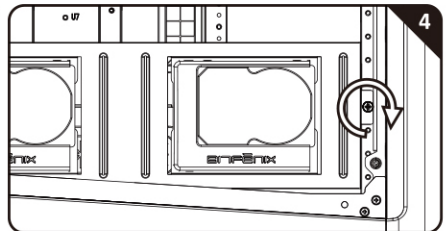
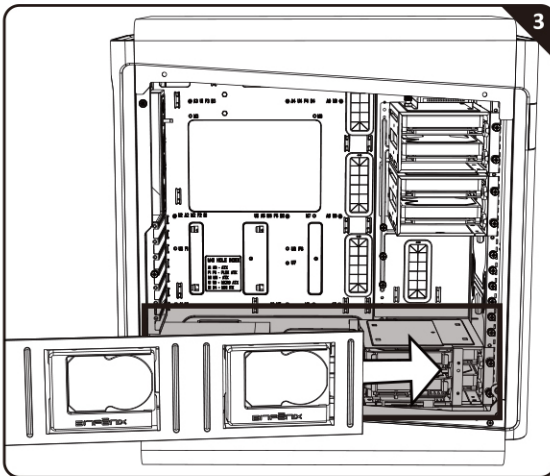
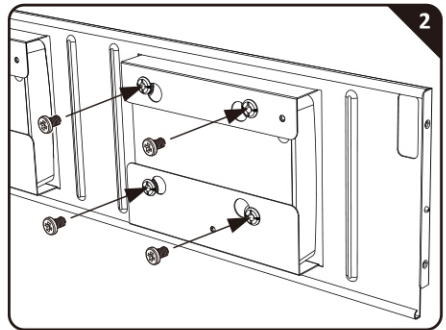
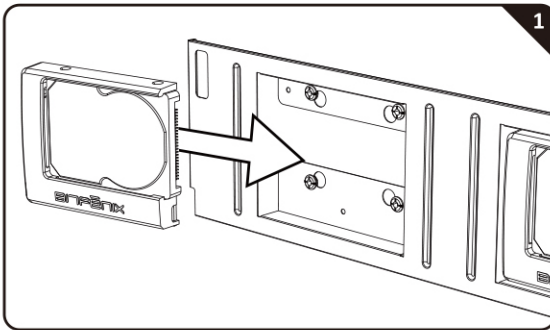
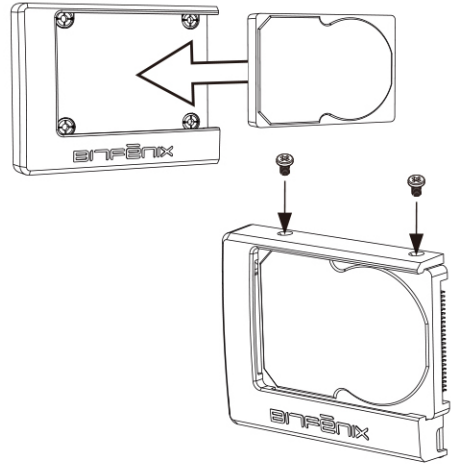
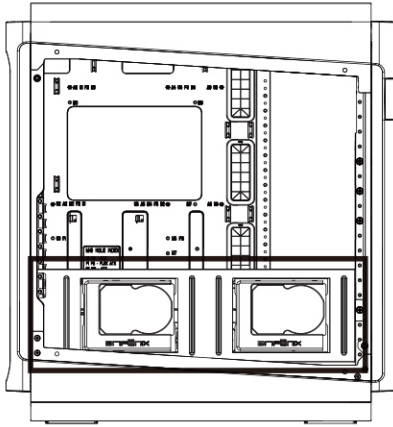


## Installing 2.5" Drives



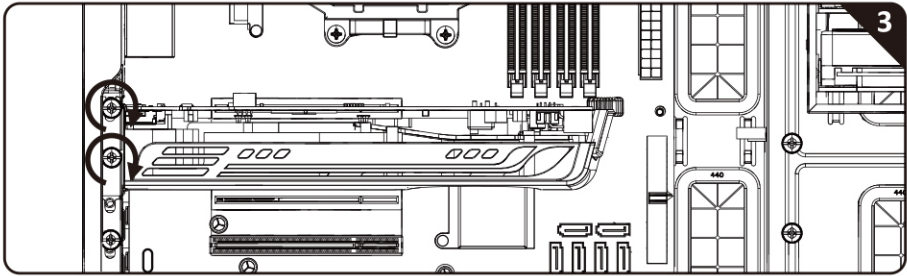
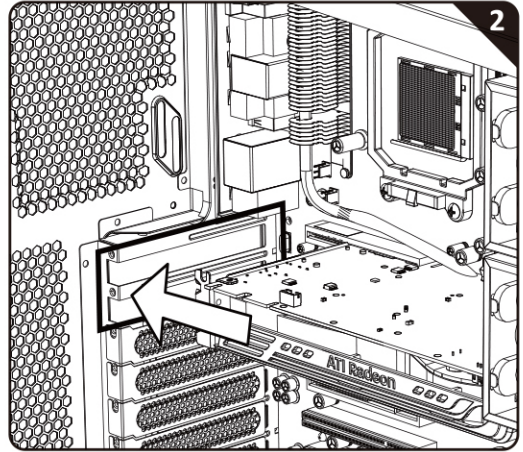
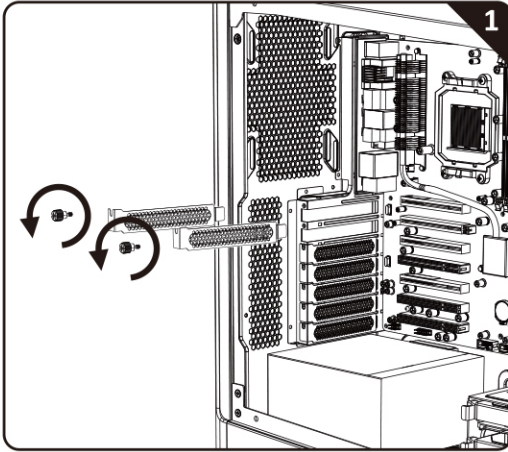


## Quick Custom SSD Chroma Installation

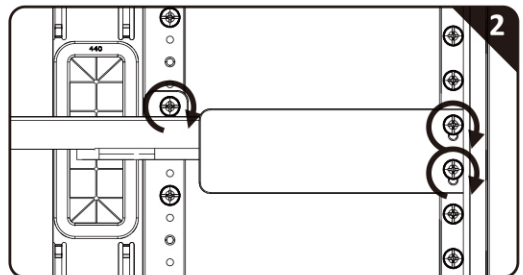
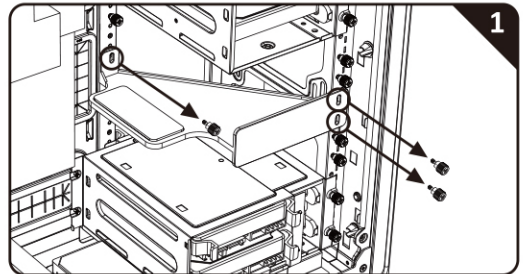
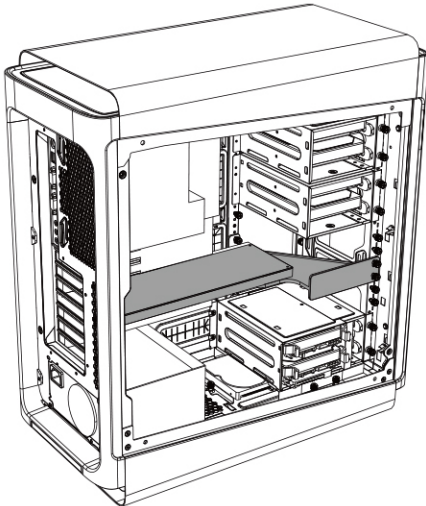




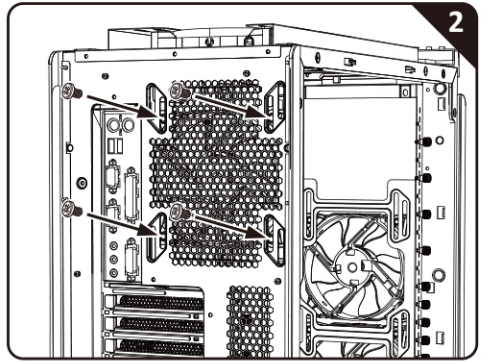
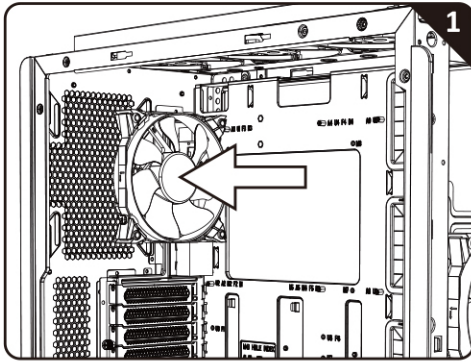
## Graphic Card & GPU Safe for VGA card holder Installation



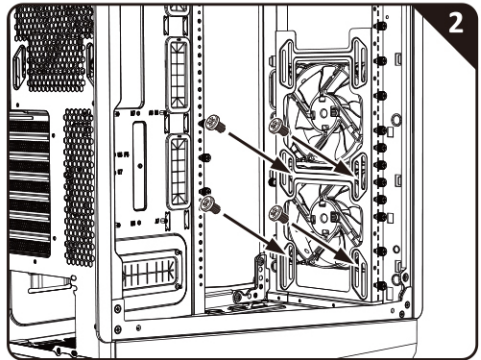
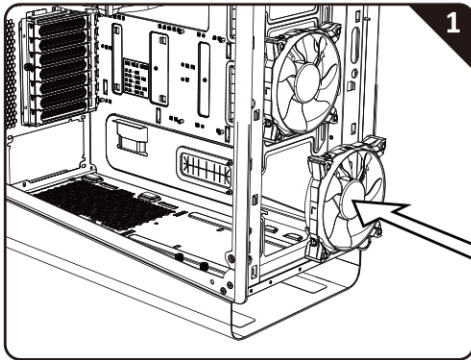
## GPU Safe for VGA card holder



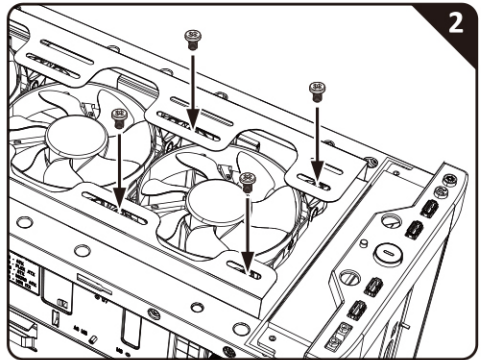
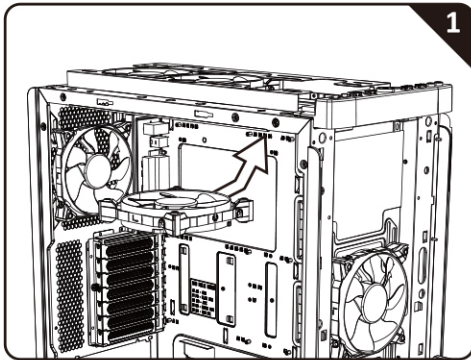
## Back Fan Installation



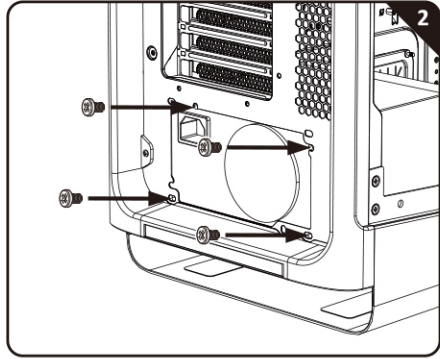
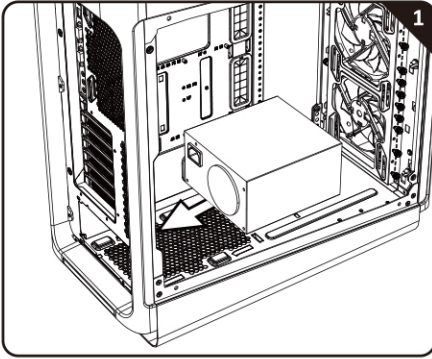
## Front Fan Installation



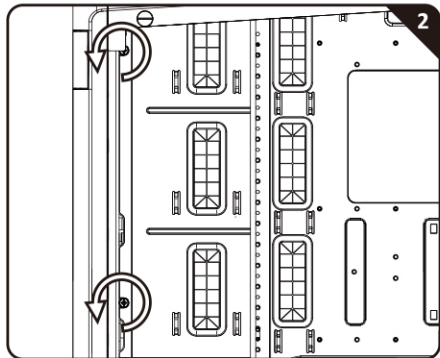
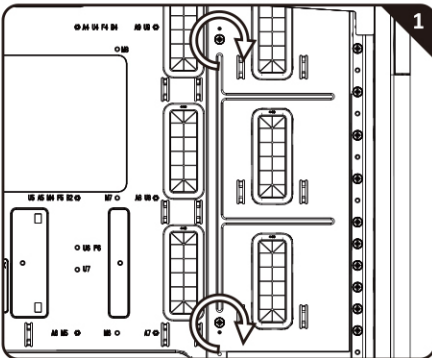
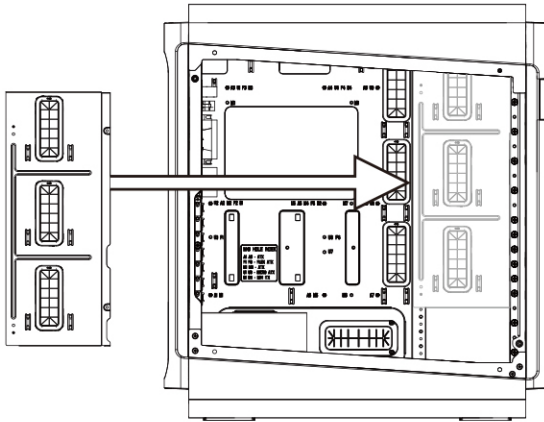
## Top Fan Installation



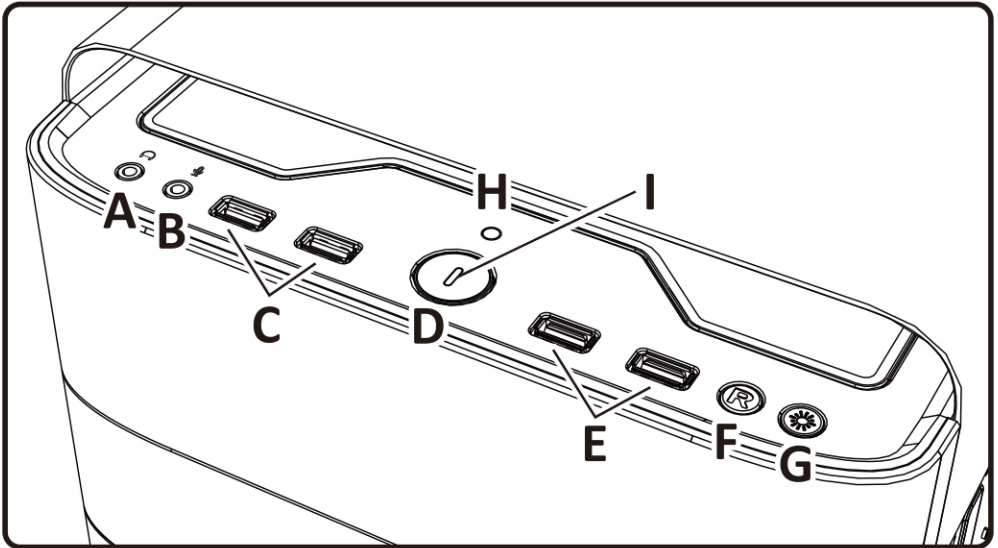
## PSU Installation



## Quick Custom EATX Shield Installation



## IO Control Panel



- |                          |                       |
|--------------------------|-----------------------|
| <b>A</b> Headphone Jack  | <b>F</b> Reset Button |
| <b>B</b> Microphone Jack | <b>G</b> LED Button   |
| <b>C</b> USB2.0 Port     | <b>H</b> HDD LED      |
| <b>D</b> Power Button    | <b>I</b> Power LED    |
| <b>E</b> USB3.0 Port     |                       |



