



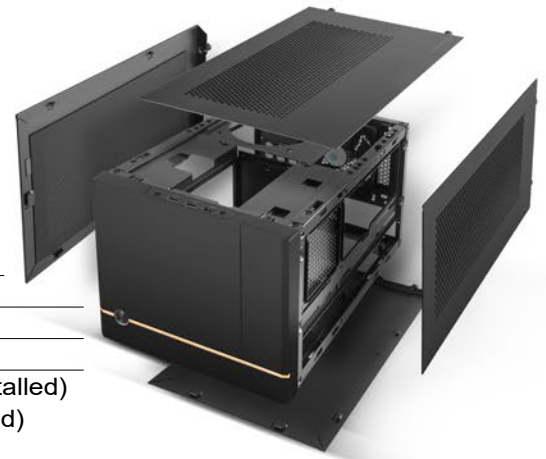
SUGO 14

Mini-ITX cube chassis with configurable front panel



- Supports 3 slot full length graphics cards with adjustable graphics card holder
- Compatible with Mini-DTX / Mini-ITX motherboard & ATX PSU
- Supports up to 240mm radiators
- Modular design with 4 removable panels (top, left, right, bottom)
- Different configurations support various storage components for 5.25", 3.5" and 2.5"
- Front I/O port includes: USB 3.0 x 2, USB 2.0 x 1, combo audio x 1

Exceptional usability & upgradability



Specifications

| | | |
|---------------------|---|---|
| Model No. | SST-SG14B | |
| Material | Plastic front panel, steel body | |
| Color | Black | |
| Motherboard | Mini-DTX, Mini-ITX | |
| Drive bay | External | 5.25" x 1 (without radiator and 3.5" x 1 installed) |
| | Internal | 3.5" x 2 (without radiator and 5.25" installed) 2.5" x 3 |
| Cooling system | Rear | 120mm / 140mm x 1 (120mm x 1 black fan included) |
| | Side | 120mm / 140mm x 2 |
| Radiator support | Rear | 120mm |
| | Side | 120mm / 240mm |
| Expansion slot | 3 | |
| Front I/O port | USB 3.0 x 2, USB 2.0 x 1, Combo audio x 1 | |
| Power supply | Standard PS2 (ATX) | |
| Graphics card limit | Length: 330mm Width: 148mm | |
| CPU cooler limit | Air cooler: 182mm (without top fan) 240mm AIO water block: 55mm | |
| PSU limit | 150mm | |
| Net Weight | 4.89 kg | |
| Dimension | 247mm (W) x 215mm (H) x 368.1mm (D), 19.55 Liters 9.72" (W) x 8.46" (H) x 14.49" (D), 19.55 Liters | |



High compatibility with no compromise

Unlike most SFF Mini-ITX chassis on the market, SUGO 14 is capable of fitting a 3 slot full length graphics cards on the left side and up to 240mm radiators on the right side.



Thoughtful design down to the details

1. GPU holder
2. M.2 cutout
3. CPU cooler cutout
4. ATX PSU support

Cooling capabilities

Radiator



Air Cooling



Substantial compatibility beyond expectations

120mm radiator at the rear

5.25" ODD + 2.5" SSD x 3
*5.25" device is also compatible with 3.5" HDD



120mm radiator at the rear

3.5" HDD x 2 + 2.5" SSD x 3



CPU cooler blowing downwards

3.5" HDD x 2, 2.5" SSD x 3



240mm radiator on the side,

120mm radiator at the rear

2.5" SSD x 3



120mm radiator at the rear,

120mm radiator on the side

3.5" HDD x 1 + 2.5" SSD x 3



Tower CPU air cooler

5.25" ODD + 2.5" SSD x 3

*5.25" device is also compatible with 3.5" HDD or 120mm/140mm fan

