

**Serie | 6, Fully-integrated dishwasher,
60 cm
SMD6TCX00E**



A Rated energy dishwasher. Delivering great performance and perfect results with no compromises, thanks to the innovative High Efficiency Energy Saving System.

- **Energy Label A:** Our most energy-efficient dishwashers
- **Home Connect:** home appliances with smart connectivity for an easier everyday life.
- **PerfectDry:** perfect drying results using less energy – even with hard-to-dry items.
- **Flex baskets:** flexible and practical solution for easy loading.
- **InfoLight:** a red infolight on the floor indicates whether the dishwasher is switched on or off.

Technical Data

Energy Efficiency Class: A

Energy Consumption for 100 cycles Eco Programme: 54 kWh

Maximum number of place settings: 14

The water consumption of the eco programme in liters per cycle: 9.5 l

Programme duration: 4:55 h

Airborne acoustical noise emissions : 44 dB

Airborne acoustical noise emission class: B

Construction type: Built-in

Height of removable worktop: 0 mm

Dimensions of the product (HxWxD): 815 x 598 x 550 mm

Required niche size for installation (HxWxD): 815-875 x 600 x 550 mm

Depth with open door 90 degree: 1150 mm

Adjustable feet: Yes - all from front

Maximum adjustability feet: 60 mm

Adjustable plinth: both horizontal and vertical

Net weight: 42.836 kg

Gross weight: 45.0 kg

Connection rating: 2400 W

Fuse protection: 10 A

Voltage: 220-240 V

Frequency: 50; 60 Hz

Length of electrical supply cord: 175 cm

Plug type: GARDY plug w/ earthing

Length inlet hose: 165 cm

Length outlet hose: 190 cm

EAN code: 4242005278954

Installation type: Full-integrated



Optional accessories

SGZ1010 : inlet and outlet hose extention

SMZ5005 : Compensating + fixing kit, stainl. steel

SMZ5035 : Decor conversion kit, stainless steel

SMZ5100 : Vario-cutlery basket

SMZ5300 : GlassSecure Tray



Serie | 6, Fully-integrated dishwasher, 60 cm SMD6TCX00E

A Rated energy dishwasher. Delivering great performance and perfect results with no compromises, thanks to the innovative High Efficiency Energy Saving System.

New for 2021

Performance

- Energy Efficiency Class¹: A
- Energy² / Water³: 54 kWh / 9.5 litres
- Capacity: 14 place settings
- Programme duration⁴: 4:55 (h:min)
- Noise level: 44 dB(A) re 1 pW
- Noise Efficiency Class: B
- Noise level (silence programme): 42 dB(A) re 1 pW

Programmes / functions

- 6 programmes: Eco 50 °C, Auto 45-65 °C, Intensive 70 °C, Express 60 °C, Silence 50 °C, Favourite
- Default favourite programme: Pre-Rinse
- 4 special options: Remote Start, Extra Dry, Half Load, SpeedPerfect+
- Machine Care
- Silence on Demand (via app)

Flexible design elements

- Flex basket system
- VarioDrawer - loading of cutlery on 3rd level
- 3 stage Rackmatic height-adjustable top basket
- Low friction wheels on bottom basket
- Anti-slip protection strips in upper basket
- Rack Stopper to prevent derailing of bottom basket
- 2 foldable plate racks in top basket
- 2 foldable plate racks in bottom basket
- Upper rack cup shelf
- Lower rack cup shelf

Innovations and technology

- High Efficiency Energy Saving System
- Home Connect ready on WLAN
- Zeolith - Energy efficient and perfect drying results
- EfficientDry and Heat Exchanger
- DosageAssist detergent dispenser
- EcoSilence BLDC drive
- Automatic detergent detection
- Aqua and loading sensor
- AquaMix - Glass protection system

Design features

- Push button top edge controls
- InfoLight (Red) - Light projection on the floor
- DoorOpen Assist - perfectly designed for kitchens without handles
- Acoustic end of cycle indicator, Time remaining indicator (min), water inlet indicator
- Time delay (3, 6 or 24 hours)
- ChildLock - double push to open
- AquaStop: Bosch warranty in case of water damage - for the lifetime of the appliance. Please find warranty terms under <https://www.bosch-home.co.uk/customer-service/care-protection-and-parts/additional-warranties>
- Self-cleaning filter system with 3 piece corrugated filter
- steam protection plate
- Stainless steel interior
- Dimensions (HxWxD): 81.5 x 59.8 x 55cm

¹ Scale of Energy Efficiency Classes from A to G

² Energy consumption in kWh per 100 cycles (in programme Eco 50 °C)

³ Water consumption in litres per cycle (in programme Eco 50 °C)

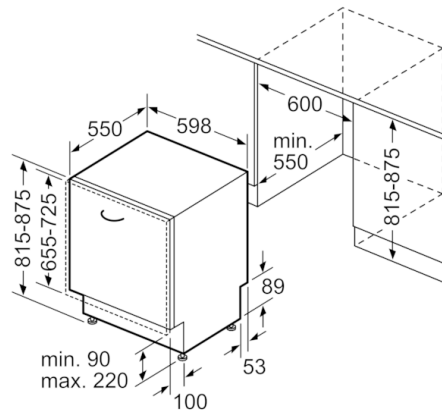
⁴ Duration of programme Eco 50 °C

Serie | 6, Fully-integrated dishwasher, 60 cm SMD6TCX00E

measurements in mm



socket
() values with extension kit



measurements in mm