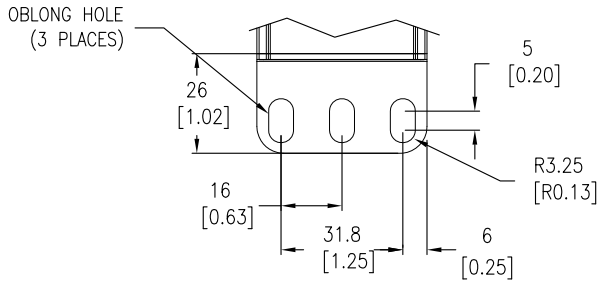
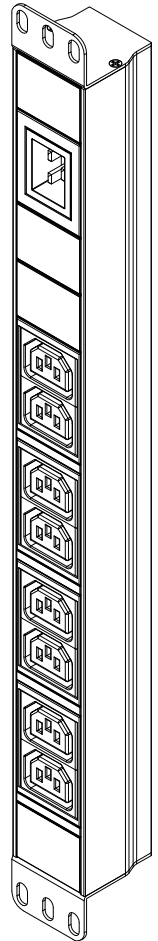


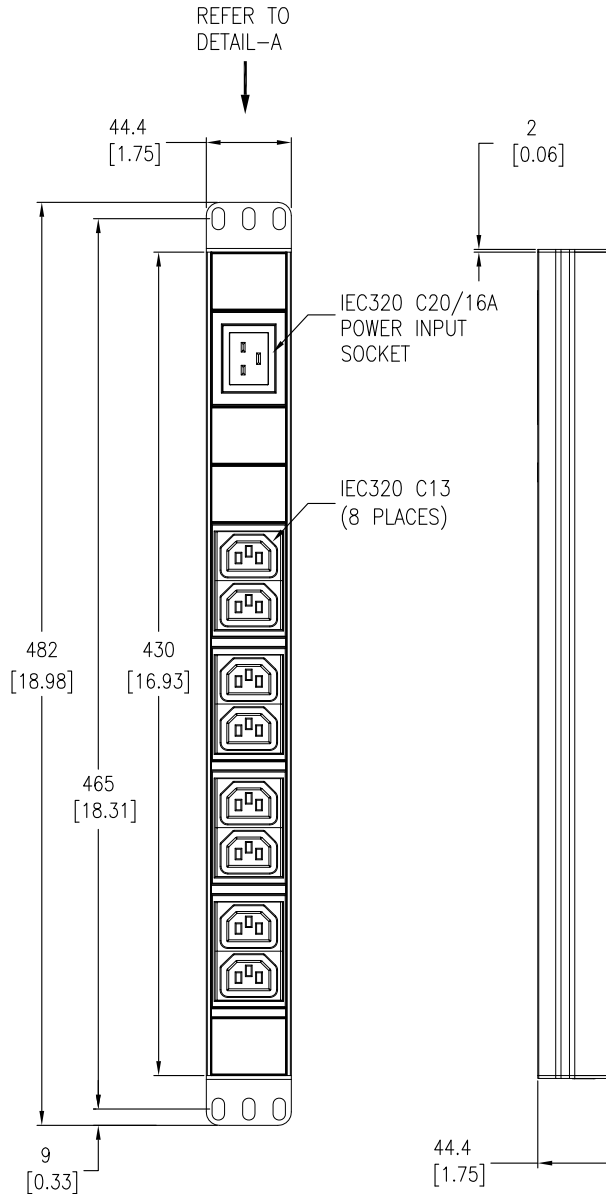
DETAIL A
ENLARGED TOP VIEW



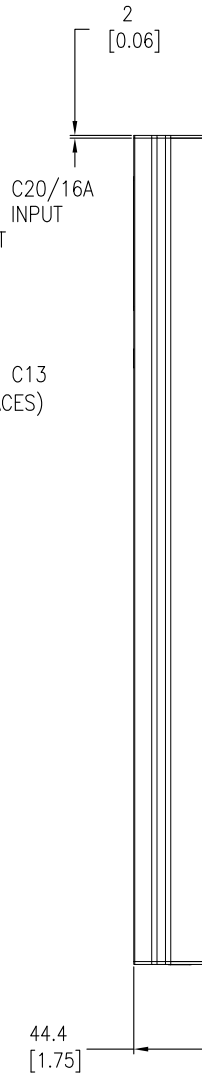
DETAIL B
UNIVERSAL MOUNTING
BRACKET
ENLARGED VIEW



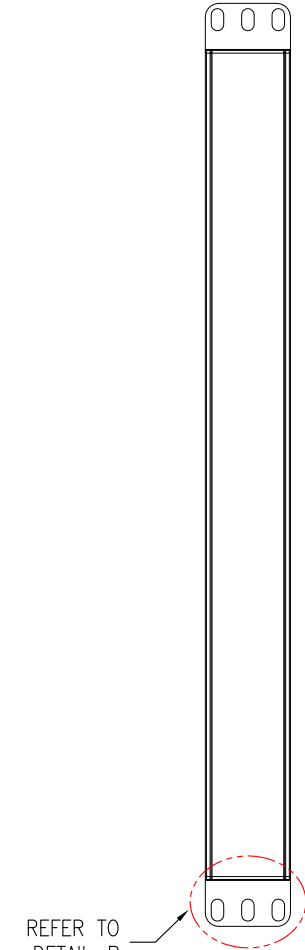
ISOMETRIC VIEW



FRONT VIEW



LEFT SIDE VIEW



REAR VIEW

NOTES:

1. INSTALLATION SHALL COMPLY WITH ALL APPLICABLE NATIONAL, STATE AND LOCAL ELECTRICAL CODES.
2. REFER TO PRODUCT DOCUMENTATION FOR ADDITIONAL DETAILS PRIOR TO INSTALLATION AND PREPARATION WORK.
3. UNLESS OTHERWISE SPECIFIED, ALL DIMENSIONS ARE IN MILLIMETERS [INCHES].
4. NET WEIGHT OF UNIT IS 0.58kg [1.28 lb].

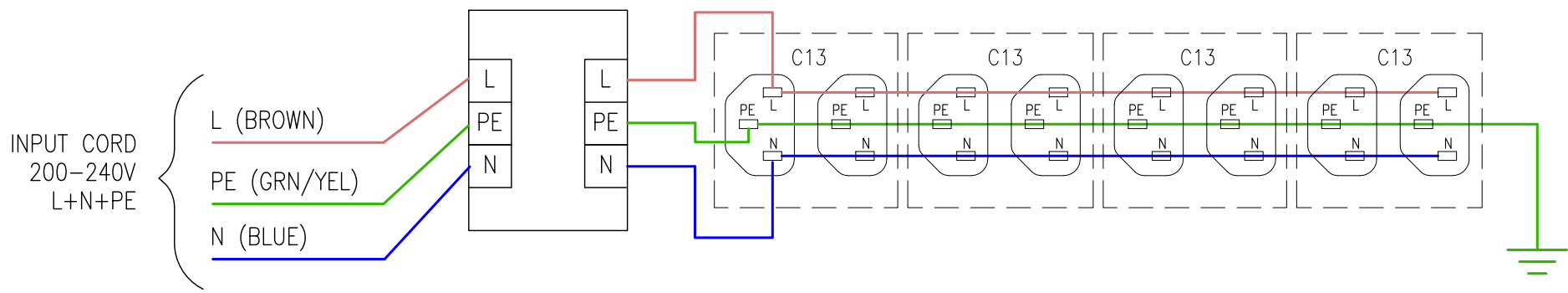
THIS DRAWING AND SPECIFICATIONS HEREIN ARE THE PROPERTY OF SCHNEIDER ELECTRIC AND SHALL NOT BE COPIED, REPRODUCED OR USED IN WHOLE OR IN PART, AS THE BASIS FOR THE MANUFACTURE OR SALE OF ITEMS WITHOUT WRITTEN PERMISSION FROM SCHNEIDER ELECTRIC. THIS DRAWING IS BASED UPON LATEST AVAILABLE INFORMATION AND IS SUBJECT TO CHANGE WITHOUT NOTICE.



TITLE: Easy PDU, Basic
1U, 16A, 230V
INPUT: IEC320 C20, L+N+PE
OUTPUT: (8)IEC320 C13
GENERAL ARRANGEMENT

PROJECT: SUBMITTAL DRAWING SHEET 1 OF 2

DWG NO:	EPDU1016B		REV.	1
DRAWN:	JAYAPRAKASH	08-NOV-19	FIRST	ANGLE
ENGINEER:	Troy LIU	08-NOV-19	PROJECTION	
APPROVED:	Tong XU	08-NOV-19		



NOTES:

1. INSTALLATION SHALL COMPLY WITH ALL APPLICABLE NATIONAL, STATE AND LOCAL ELECTRICAL CODES.
2. REFER TO PRODUCT DOCUMENTATION FOR ADDITIONAL DETAILS PRIOR TO INSTALLATION AND PREPARATION WORK.
3. THIS DRAWING DEPICTS THE POWER SYSTEM CONNECTIONS AND IS NOT REPRESENTATIVE OF THE PHYSICAL LAYOUT. PLEASE REFER TO MECHANICAL DRAWINGS FOR PHYSICAL LAYOUT.

THIS DRAWING AND SPECIFICATIONS HEREIN ARE THE PROPERTY OF SCHNEIDER ELECTRIC AND SHALL NOT BE COPIED, REPRODUCED OR USED IN WHOLE OR IN PART, AS THE BASIS FOR THE MANUFACTURE OR SALE OF ITEMS WITHOUT WRITTEN PERMISSION FROM SCHNEIDER ELECTRIC. THIS DRAWING IS BASED UPON LATEST AVAILABLE INFORMATION AND IS SUBJECT TO CHANGE WITHOUT NOTICE.



TITLE:	Easy PDU, Basic 1U, 16A, 230V INPUT: IEC320 C20, L+N+PE OUTPUT: (8)IEC320 C13 SCHEMATIC DIAGRAM	DWG NO:	EPDU1016B	REV.	0
PROJECT:	SUBMITTAL DRAWING	DRAWN:	JAYAPRAKASH	04-NOV-19	FIRST ANGLE PROJECTION
SHEET	2 OF 2	ENGINEER:	Troy LIU	05-NOV-19	
		APPROVED:	Tong XU	05-NOV-19	