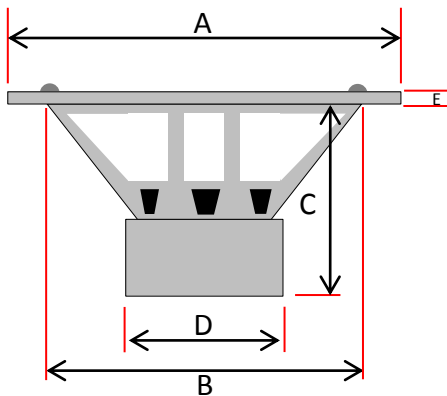




## TECHNICAL SPECIFICATIONS

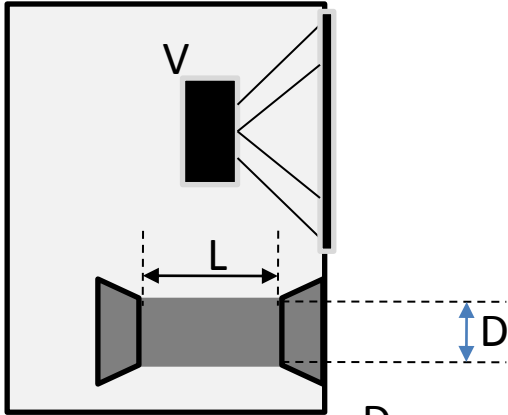
Product name	GZPW 15SPL-Extreme	Gasket	Steeling
Product type	Subwoofer chassis	Terminal	10 mm <sup>2</sup> cable
H.Art .nr.	113072	Power handling	15000 W SPL Power
Diameter	380 mm / 15"	Impedance	2 x 1 Ohm
Mounting diameter	360 mm / 14.3"	Re	2,2 Ohm
Mounting depth	272 mm / 10.71"	Res	353,4 Ohm
Magnet dimension	3 x 275 x 19 mm	FS	46 Hz
Total weight	40,45 KG	Qms	4.77
Voice coil diameter	100 mm / 4" Flat Wire	Qes	0.34
Voice coil winding height	62 mm / 2.44"	Qts	0.31
Voice coil wire material	CCA	Rms	24,8 kg/s
Voice coil former material	Stainless Steel	Cms	0.03 mm/N
Top plate height	35 mm / 1.38"	Mms	405,1 gr
Linear excursion (one direction)	13,5 mm / 0.53"	BL	27.9 N/A
Effective Xmax	35 mm / 1.39"	SPL	92 dB
Top Plate and T-Yoke color	Silver sandblast	VAS	28,5 L / 1.01 cu.ft
Basket material	Aluminium Cast	Le	1.06 mH
Basket color	Yellow	Recommended freq. Response	35 – 100 Hz
Spider	5x Connex	Recommended amplifier power	4 –15 kW RMS @ 2 Ohm (0,5 Ohm)
Surround	VOXR V Shape foam	Sound Quality	☺☺☺ (max. ☺☺☺☺☺☺)
Cone	Carbon Sandwich	SPL Competition	☺☺☺☺☺☺ (max. ☺☺☺☺☺☺)
Dustcap	IMPP konvex / Logo print	Low bass performance 20-50Hz	☺☺☺☺ (max. ☺☺☺☺☺☺)
Magnetcover	Rubber	Mid bass performance 50-80Hz	☺☺☺☺☺ (max. ☺☺☺☺☺☺)



A	393 mm / 15.47"
B	360 mm / 14.17"
C	272 mm / 10.71"
D	285 mm / 11.22"
E	10 mm / 0.3937"



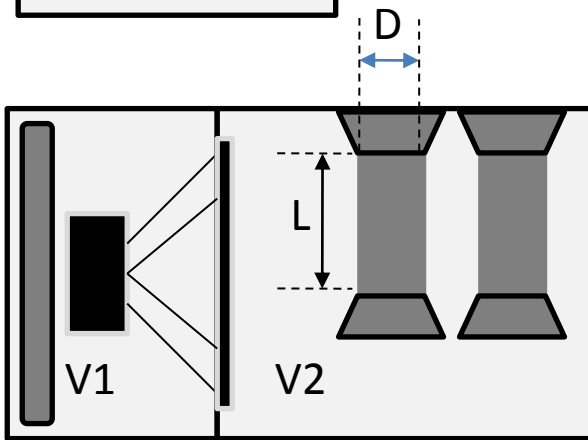
BOX RECOMMENDATION



**Big size vented box**

V: 120 L / 4.24 cu.ft  
 D: 200 mm / 8"  
 L: 200 mm / 8"  
 Tuning: 46 Hz  
 F3: 39 Hz

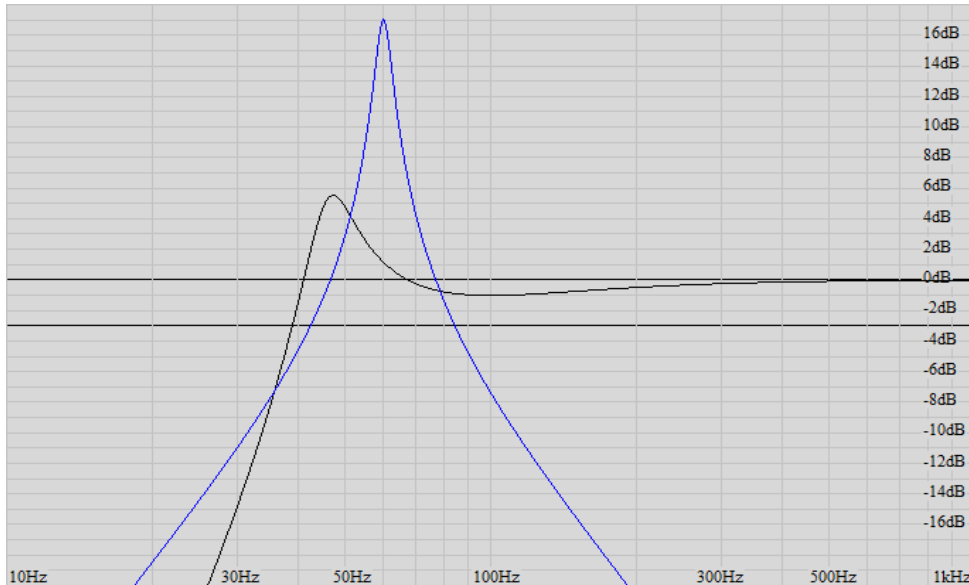
No damping



**Big size bandpassbox**

V1: 25 L / 0.88 cu.ft  
 V2: 90 L / 3.54 cu.ft  
 D: 2x 160 mm / 6"  
 L: 250 mm / 10"  
 Center Freq.: 60 Hz  
 Bandwidth (-3dB): 42 – 84 Hz

20% polyester wool in V1  
 No damping in V2



Die hier aufgeführten Gehäusevorschläge sind nur einige, der möglichen Varianten.  
 Bitte beachten Sie zudem, dass die finale Abstimmung, speziell die Port Längen je nach Fahrzeug und eigenem Geschmack variiert werden sollte.  
*Above-mentioned enclosure recommendations are just a few possible variations.  
 Please note that you should find the perfect tuning, especially port length, based on your car and own taste.*

