

# VS9 RGB

ATX PC Case

**Manual**

# Specifications

## General:

■ Form Factor:	ATX
■ Expansion Slots:	7
■ Interior Painting:	✓
■ Cable Management System:	✓
■ Side Panel:	Tempered Glass
■ Color Versions:	Black, White
■ Dimensions (L x W x H):	42.3 x 20.5 x 48.5 cm

## RGB Compatibility:

■ Type:	Addressable
■ Ports:	2
■ Manual Control:	14 Modes
■ Mainboard Compatibility:	MSI Mystic Light Sync, ASUS Aura Sync, Gigabyte RGB Fusion Ready, ASRock Polychrome Sync
■ RGB Pinout:	5V-D-coded-G

## Max. Drive Bays:

■ 3.5"	2
■ 2.5"	6

## I/O:

■ Type-C (USB 3.2 Gen 2):	1
■ USB 3.0 (Top):	2
■ Audio (Top):	✓

## Fan Configuration:

■ Front Panel:	2x 120 mm Fan (Pre-Installed) + 1x 120 mm Fan or Radiator (Optional)
■ Rear Panel:	1x 120 mm Addressable RGB LED Fan (Pre-Installed)
■ Top Panel:	2x 120 mm or 2x 140 mm Fan or Radiator (Optional)

## Compatibility:

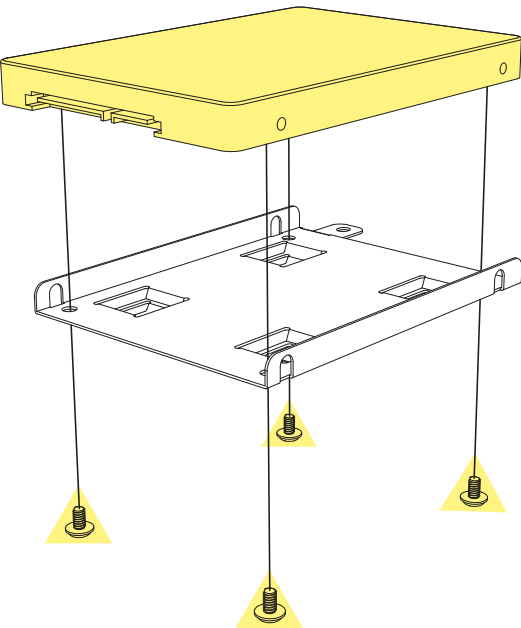
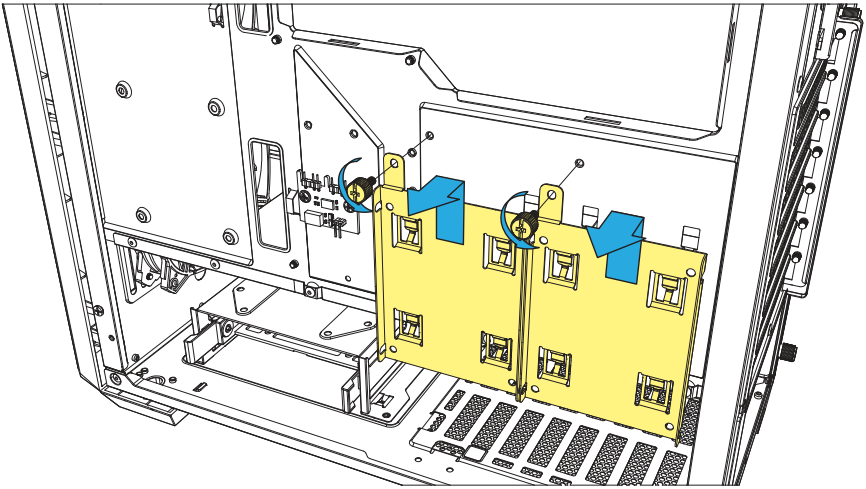
■ Mainboard:	Mini-ITX, Micro-ATX, ATX
■ Max. Length Graphics Card:	35.0 cm
■ Max. Height CPU Cooler:	15.8 cm
■ Max. Length PSU:	21.0 cm
■ Max. Height Radiator incl. Fan (Front):	5.8 cm*
■ Max. Height Radiator incl. Fan (Top):	6.0 cm

## Package Contents:

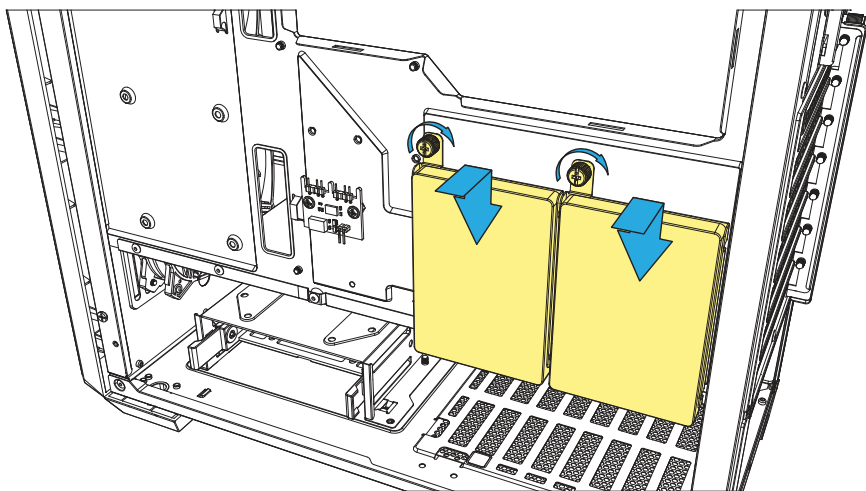
■ VS9 RGB, Accessory Set
--------------------------

\*With HDD/SSD cage removed

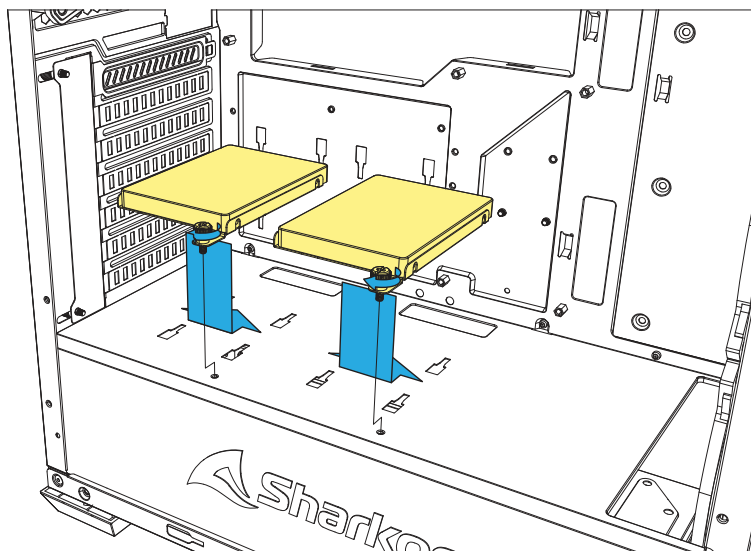
# Install 2.5" HDDs/SSDs



# Install 2.5" HDDs/SSDs

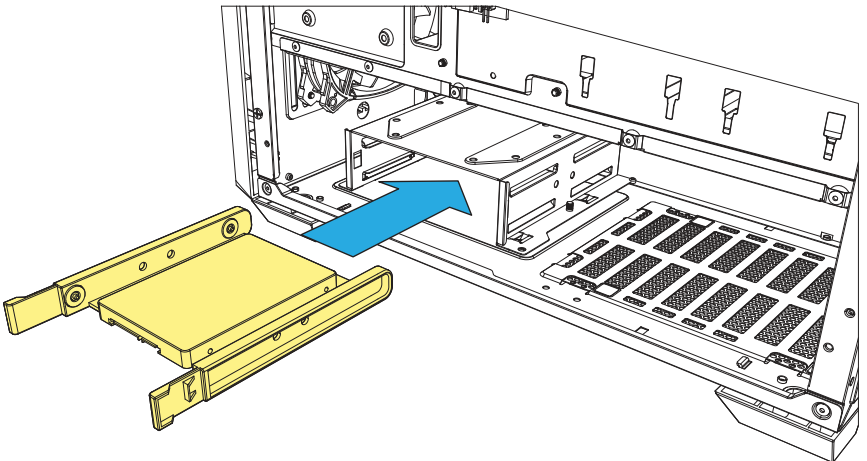
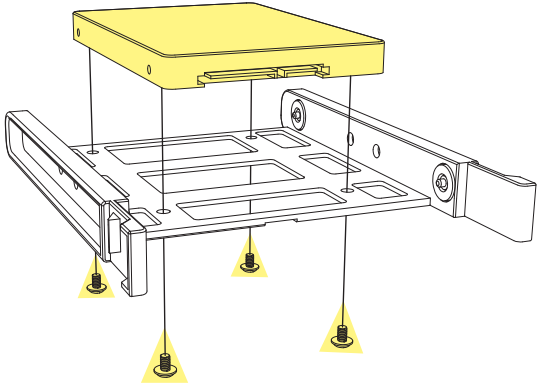
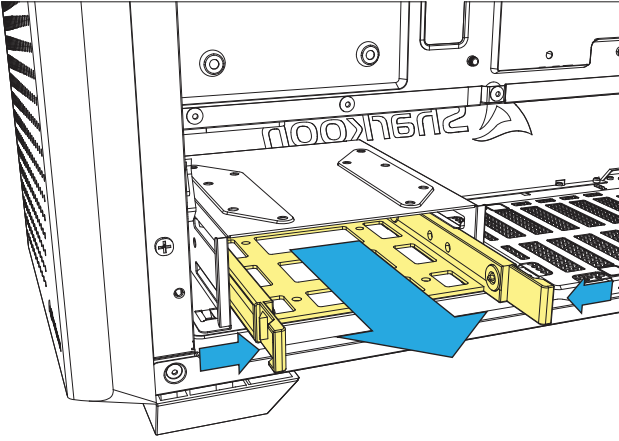


OR

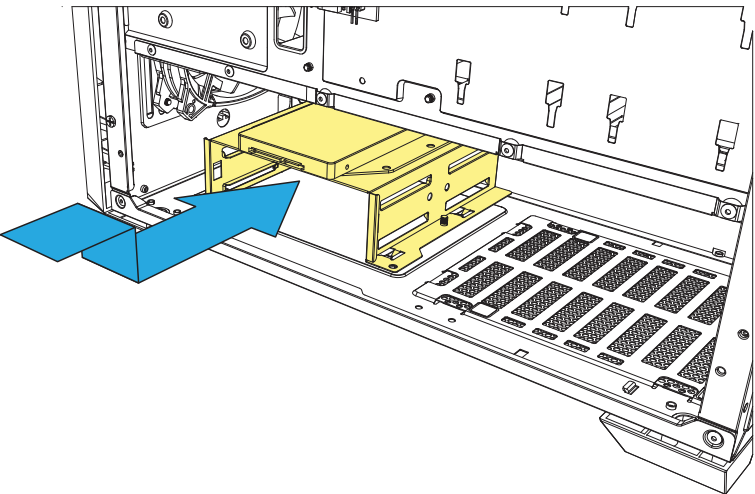
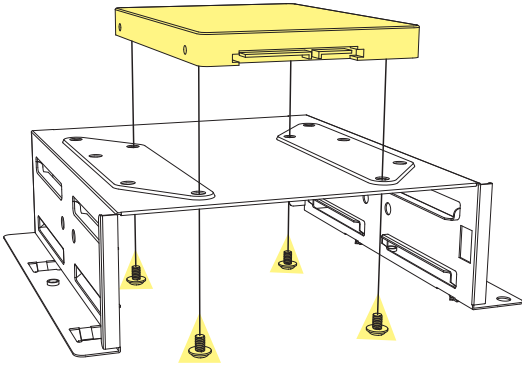
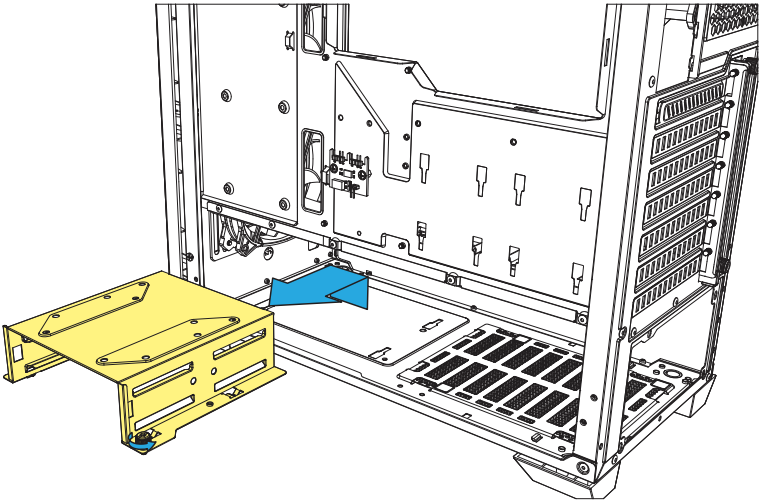




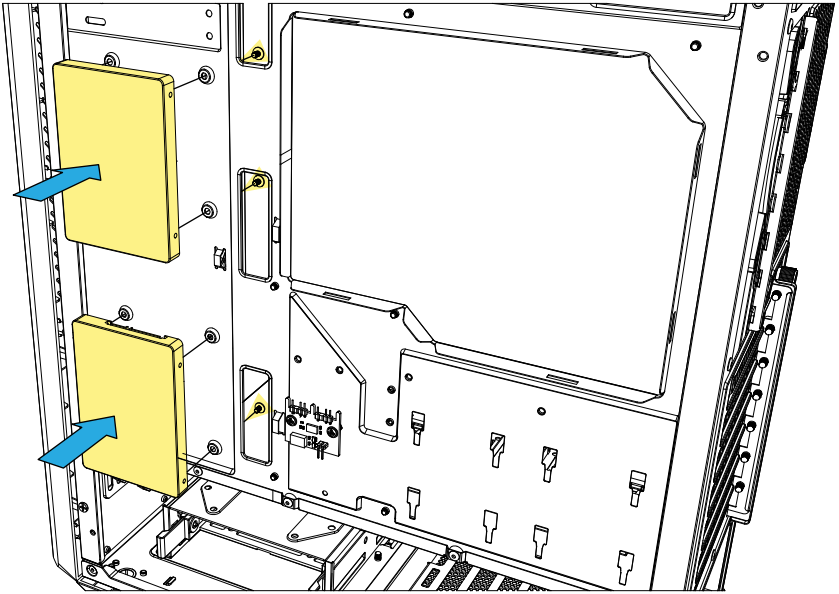
# Install 2.5" HDDs/SSDs



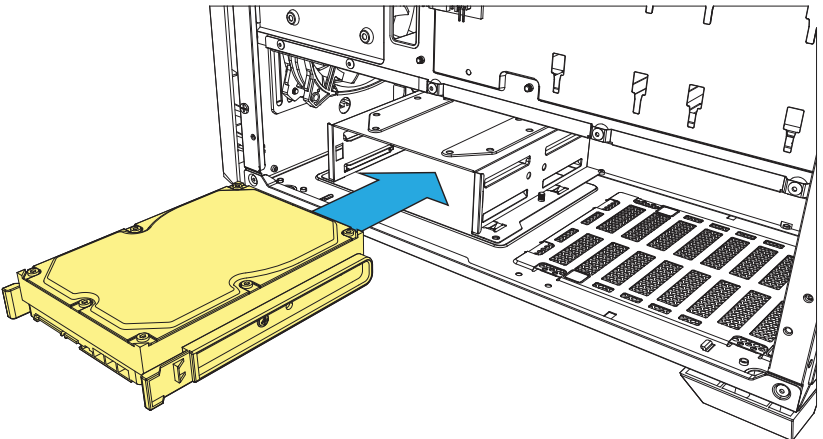
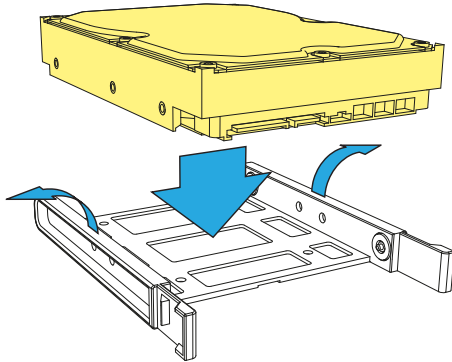
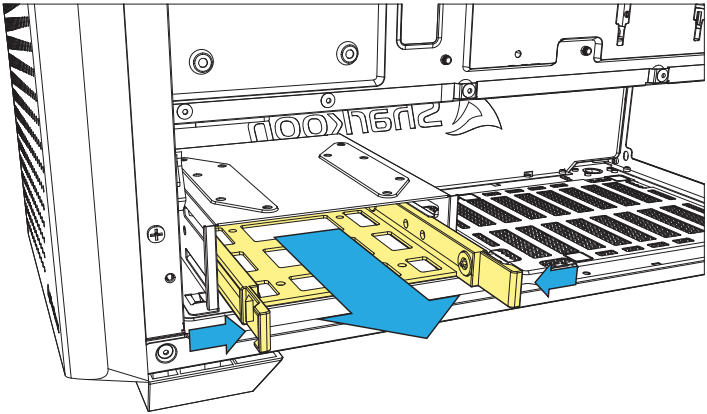
# Install 2.5" HDDs/SSDs



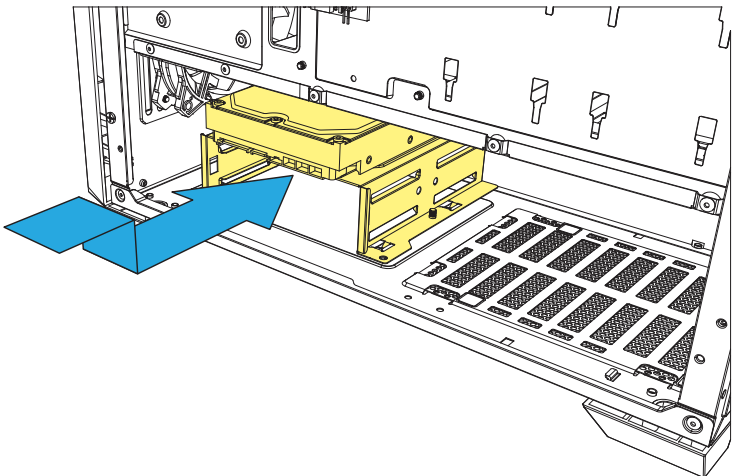
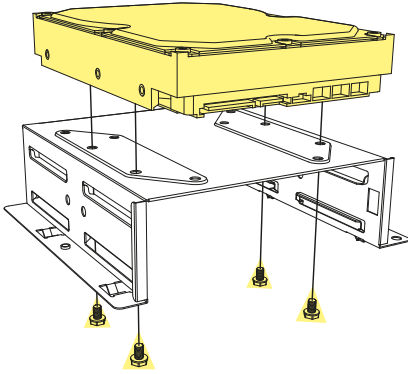
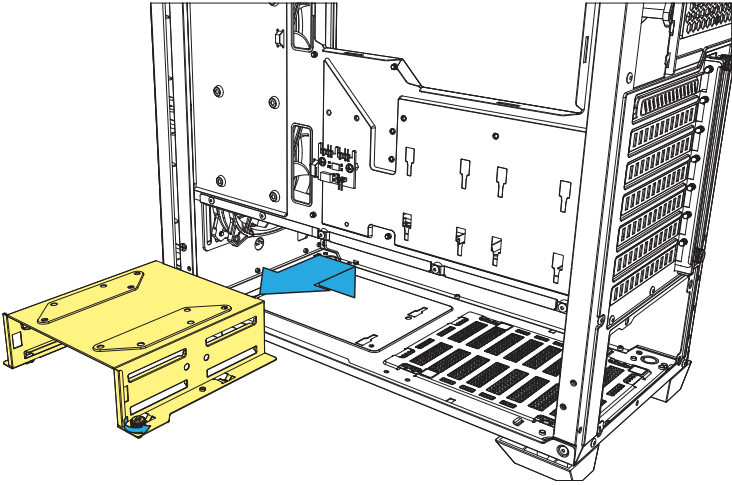
# Install 2.5" HDDs/SSDs



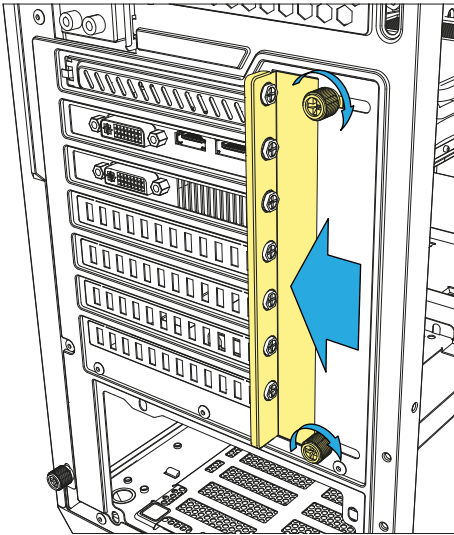
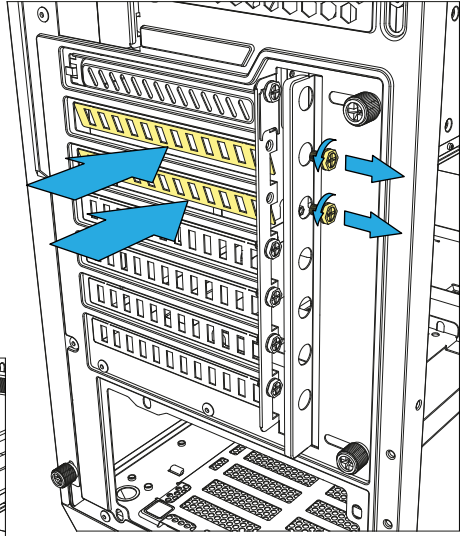
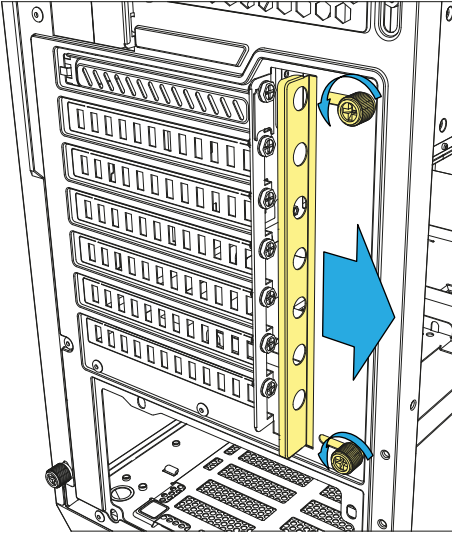
# Install 3.5" HDDs



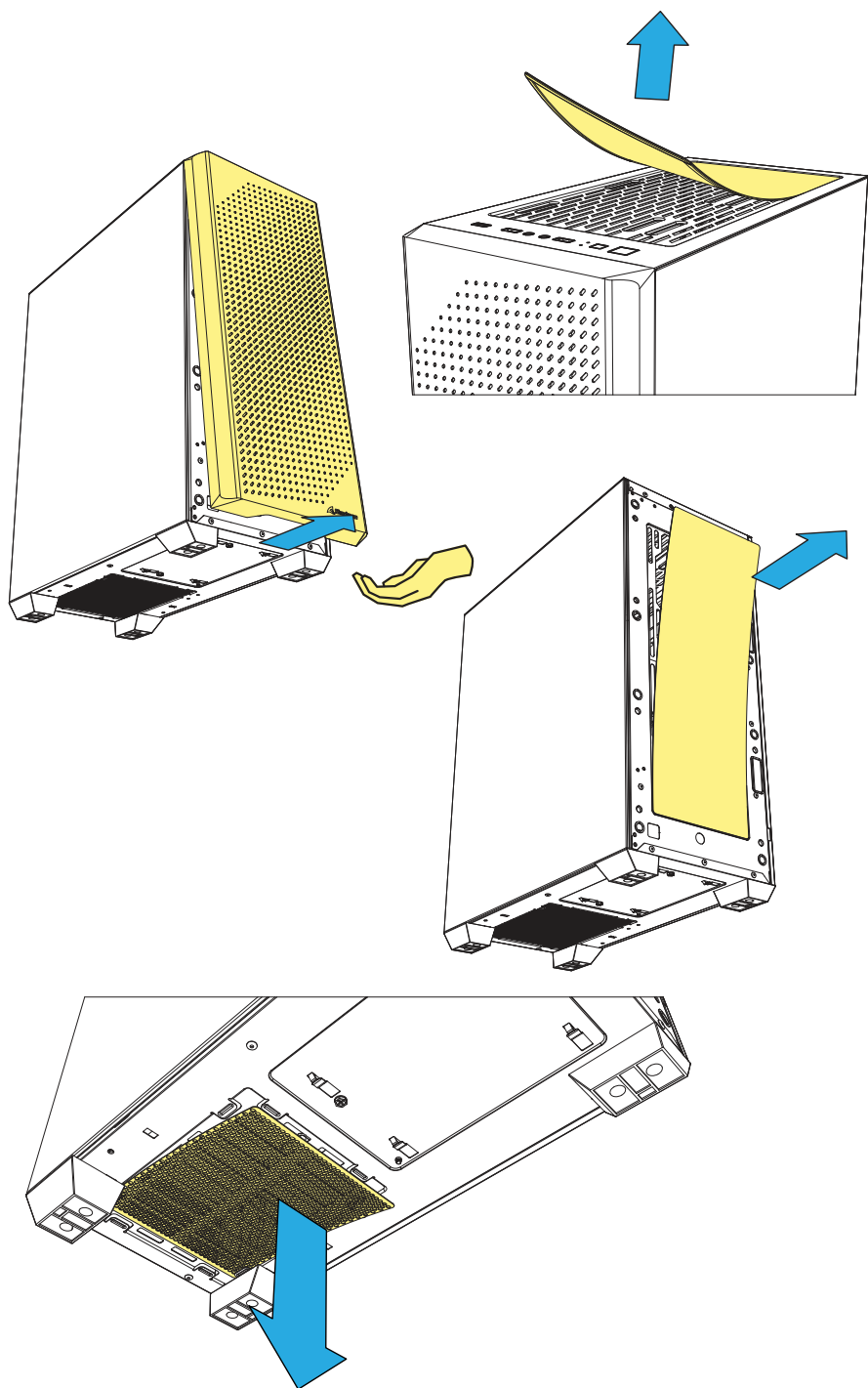
# Install 3.5" HDDs



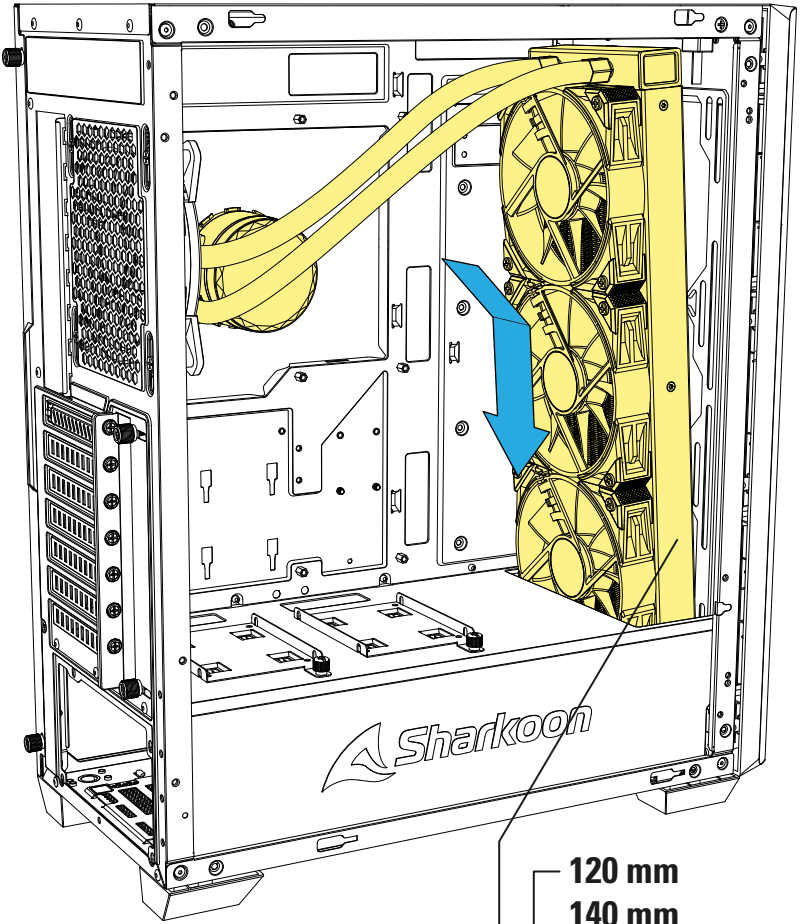
# Install Add-On Cards



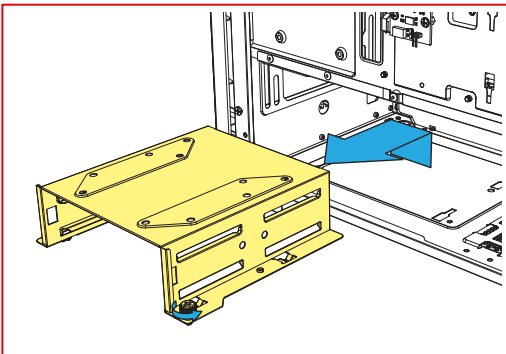
# Detachable Dust Filters



# Install Radiator behind Front Panel



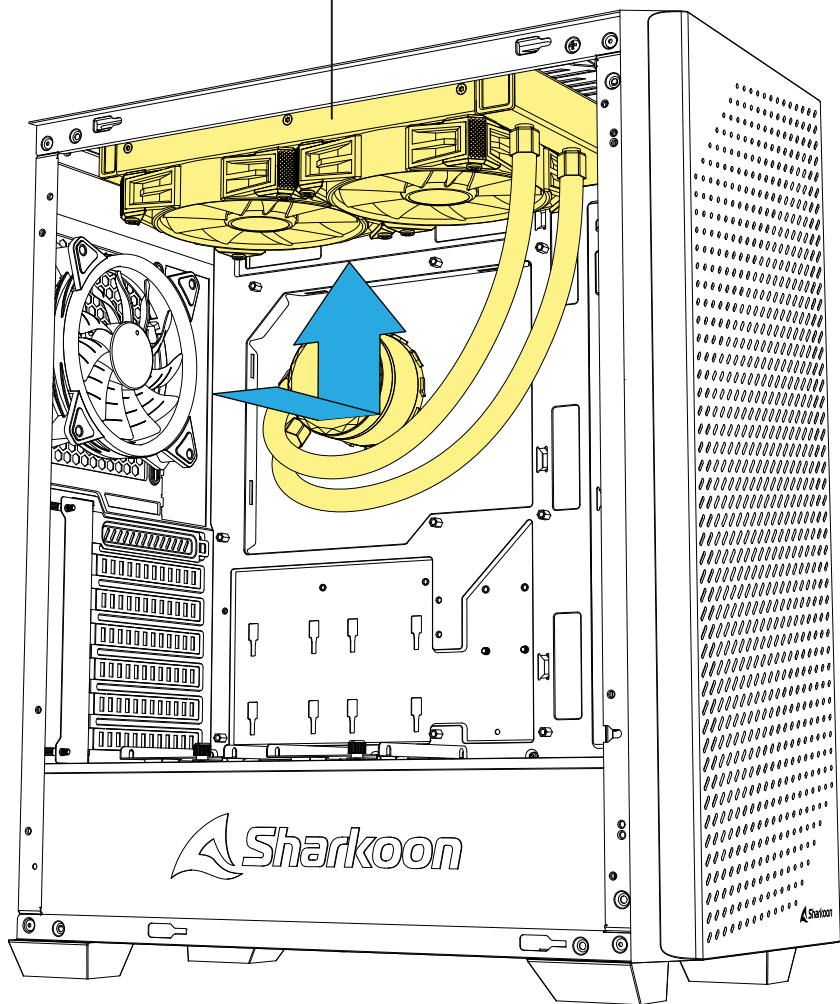
- 120 mm
- 140 mm
- 240 mm Radiator
- 280 mm
- 360 mm**



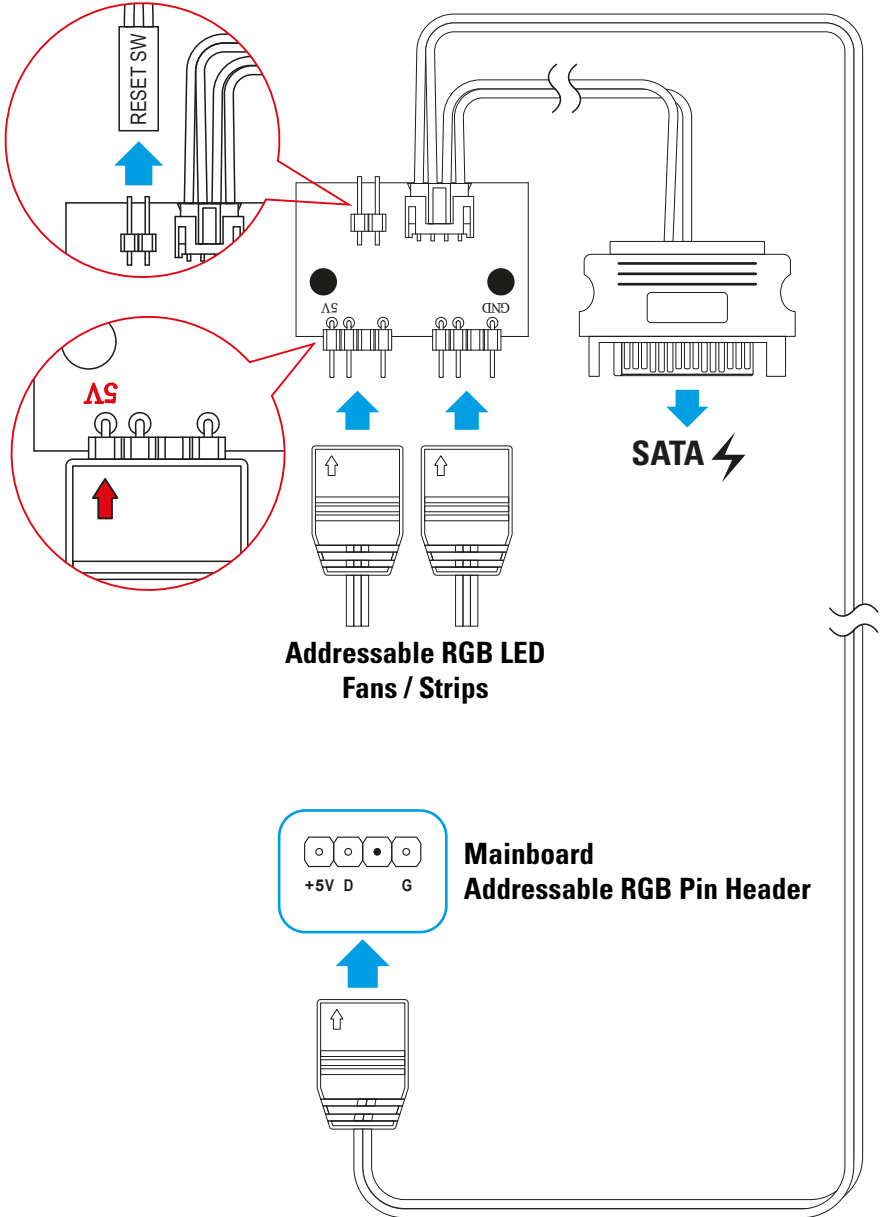


# Install Radiator under Top Panel

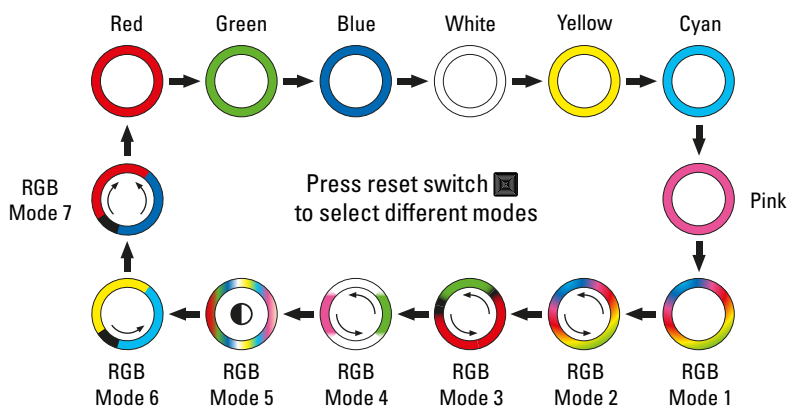
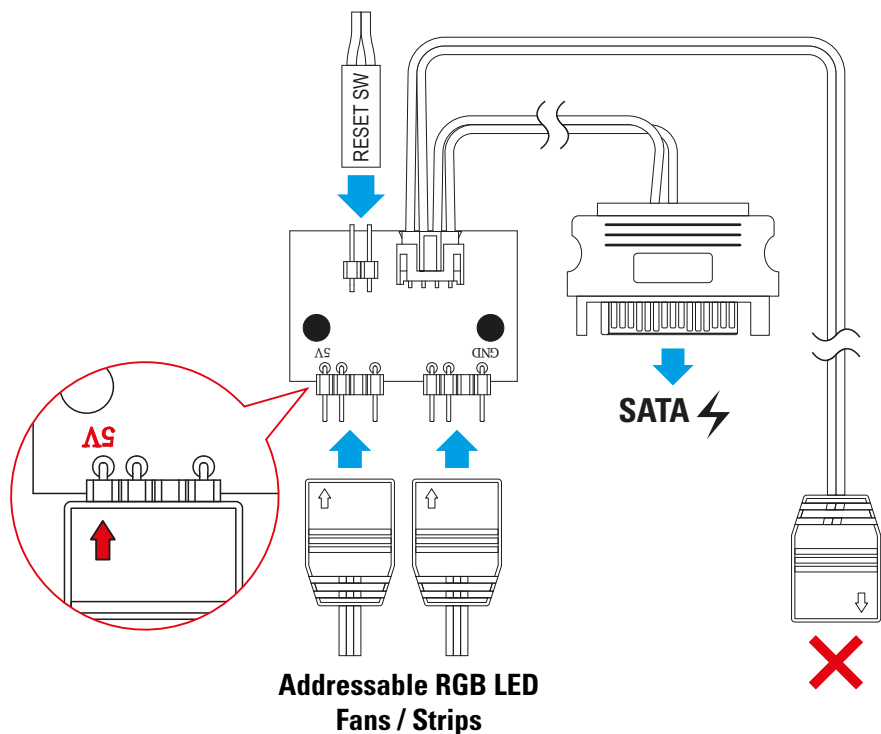
120 mm  
140 mm  
240 mm  
280 mm Radiator


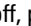


# Control Addressable RGB through Mainboard



# Manually Control Addressable RGB



Press reset switch  for 2 seconds to turn off the LED lights.  
When the LED lights are off, press reset switch  to turn on the LED lights.

## Legal Disclaimer

For potential loss of data, especially due to inappropriate handling, Sharkoon assumes no liability.

All named products and descriptions are trademarks and/or registered trademarks of the respective manufacturers and are accepted as protected. As a continuing policy of product improvement at Sharkoon, the design and specifications are subject to change without prior notice. National product specifications may vary.

All rights reserved especially (also in extracts) for translation, reprinting, reproduction by copying or other technical means. Infringements will lead to compensation. All rights reserved especially in case of assignation of patent or utility patent. Means of delivery and technical modifications reserved.

## Disposal of your old products

Your product is designed and manufactured with high quality materials and components, which can be recycled and reused.



When this crossed-out wheeled bin symbol is attached to a product, it means the product is covered by the European Directive 2012/19/EU.

Please be informed about the local separate collection system for electrical and electronic products. Please act according to your local rules and do not dispose of your old products with your normal household waste. The correct disposal of your old product will help prevent potential negative consequences to the environment and human health.

## Follow us on



Facebook



Instagram



YouTube



TikTok



Twitter

**Sharkoon Technologies GmbH**

Grüninger Weg 48

35415 Pohlheim

Germany

© Sharkoon Technologies 2023

