



基本内容

品牌	TCL	销往地	EU
物料编码	72-50FC63-T31Z1	机型/机芯	50/55D6100/1MST31A1S2B
物料名称	说明书	销售型号	50/55CF630
		BOM/批次	H7-50D610J1-PL0AU H7-55D610J1-PL0BU

资料更新履历

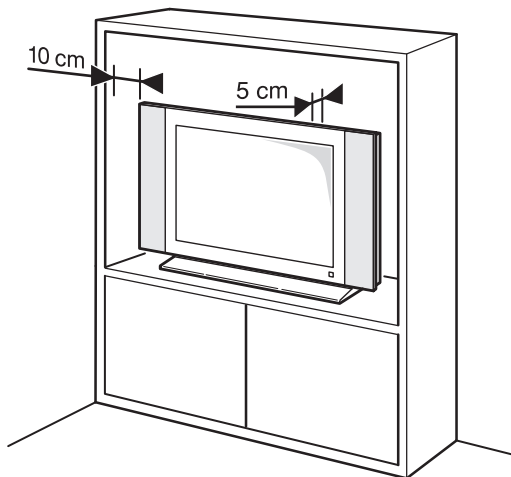
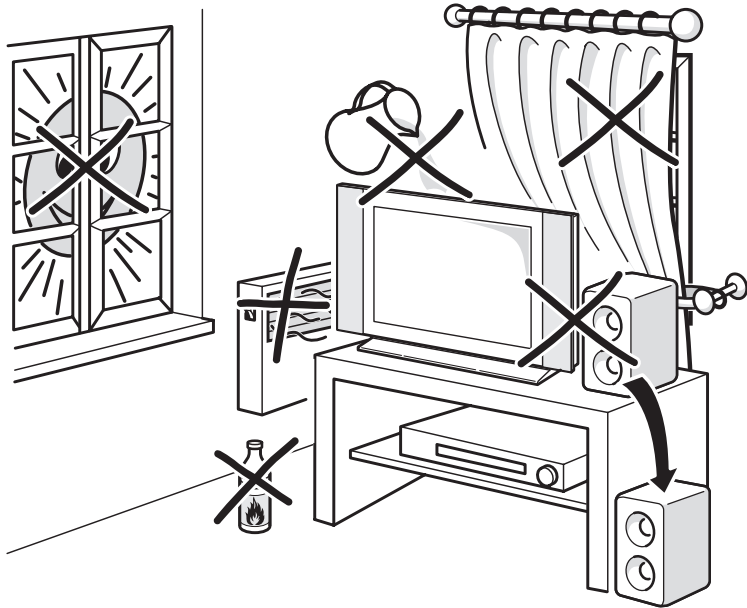
制作要求 工艺或使用方法

尺寸	A5 (210x143mm)
材质	80克书纸 80g paper
颜色要求	PRINT IN BLACK ON WHITE BACKGROUND
是否折叠或装订要求	/
是否送样	

备注：

制作人	黄福英	制作日期	2022-08
平面审核		硬件会签	李清人
结构会签		业务/DQA	
软件会签		会 签	

TCL | firetv






Safety

Ensure that your domestic mains supply voltage matches the voltage indicated on the identification sticker located at the back of your set. Where the mains plug, AC inlet or an appliance coupler is used as disconnect device, it shall remain readily operable.

On certain models, the light indicator is located at the side of the TV set. The absence of a light indication at the front does not mean that the TV set is fully disconnected from the mains. To disconnect the TV set completely, the mains plug must be pulled out.

The TV set's components are sensitive to heat. The **maximum ambient temperature** should not exceed **35° Celsius**. Do not cover the vents at the back or sides of the TV set. Leave sufficient space around it to allow adequate ventilation. Install the appliance away from any source of heat (fireplace, etc.) or appliances creating strong magnetic or electric fields.

Moisture in rooms where the set is installed should not exceed **75%** humidity. Moving the set from a cold place to a warm one can cause condensation on the screen (and on some components inside the TV set). Let the condensation evaporate before switching the TV set on again.

The  or **POWER**/ button on the TV set or the  button on the remote control can be used to switch it on and put it into standby mode. If you are **not going to be watching the TV for a lengthy period of time**, switch it off completely by removing the plug from the mains power socket.

During **thunderstorms**, we recommend that you disconnect the TV set from the mains and aerial so that it is not affected by electrical or electromagnetic surges that could damage it. For this reason, keep the **mains and aerial sockets** accessible so they can be **disconnected**, if necessary.

Unplug the TV set immediately if you notice it giving off a **smell of burning or smoke**. You must never, under any circumstances, open the TV set yourself, as you run the risk of an **electric shock** in doing so.

WARNINGS

This appliance is intended for domestic household use only and should not be used for any other application, such as for non-domestic use or in a commercial environment.

If the external flexible cable or cord of this product is damaged, it shall be replaced by the manufacturer or his service agent or a similar qualified person in order to avoid a hazard.

Leave more than 10cm clearance around the television to allow adequate ventilation. The ventilation should not be impeded by covering the ventilation openings with items, such as newspapers, table-cloths, curtains, etc.

The apparatus shall not be exposed to dripping or splashing and no objects filled with liquids, such as vases shall be placed on the apparatus.

Batteries (battery pack or batteries installed) shall not be exposed to excessive heat such as sunshine, fire or the like.

To reduce the risk of fire or electric shock, do not expose this apparatus to rain or moisture.

A television set may fall, causing serious personal injury or death. Many injuries, particularly to children, can be avoided by taking simple precautions such as:

- ALWAYS use cabinets or stands or mounting methods recommended by the manufacturer of the television set.
- ALWAYS use furniture that can safely support the television set.
- ALWAYS ensure the television set is not overhanging the edge of the supporting furniture.
- ALWAYS educate children about the dangers of climbing on furniture to reach the television set or its controls.
- ALWAYS route cords and cables connected to your television so they cannot be tripped over, pulled or grabbed.
- NEVER place a television set in an unstable location.
- NEVER place the television set on tall furniture (for example, cupboards or bookcases) without anchoring both the furniture and the television set to a suitable support.
- NEVER place the television set on cloth or other materials that may be located between the television set and supporting furniture.
- NEVER place items that might tempt children to climb, such as toys and remote controls, on the top of the television or furniture on which the television is placed.

If the existing television set is being retained and relocated, the same considerations as above should be applied.

Equipment with this symbol is a Class II or double insulated electrical appliance. It has been designed in such a way that it does not require a safety connection to electrical earth.



Equipment without this symbol is a Class I electrical appliance. It shall be connected to a mains socket outlet with a protective earthing connection.



To prevent the spread of fire, keep candles or other open flames away from this product at all times.



This symbol indicates that high voltage is present inside. It is dangerous to make any kind of contact with any internal part of this product.



This symbol indicates that the fuse may be in the neutral, and that the mains shall be disconnected to de-energize the phase conductors.

To prevent injury, this apparatus must be securely attached to the floor/wall in accordance with the installation instructions.

To reduce the risk of RF exposure, the use distance of this apparatus should be at least 100cm.

If an outside antenna or cable system is connected to the product, be sure the antenna or cable system is grounded by a skilled person so as to provide some protection against voltage surges and built-up static charges.

TV screen

The TV screen used in this product is made of glass. Therefore, it can break when the product is dropped or impacted upon by other objects.

The TV screen is a very high technology product, giving you finely detailed pictures. Occasionally, a few nonactive pixels may appear on the screen as a fixed point of blue, green or red. This does not affect the performance of your product.

Care

Use a glass-cleaning product to clean the screen and a soft cloth and mild detergent to clean the rest of the set.

Important: Using strong detergents, alcohol-based and abrasive products may damage the screen.

Dust the vents at the back and sides regularly. Using solvents, abrasive or alcohol-based products could damage the TV set. If an object or liquid enters the appliance, unplug it immediately and have it checked by an authorized engineer. Never open the appliance yourself since this may put you at risk or damage the appliance.

ESD regulation

This apparatus meets ESD performance criteria. In case the apparatus does not recover in Ethernet connection mode or USB playing mode due to electrostatic discharge, user intervention is required.

Bluetooth function notice

Bluetooth® technology (if available in your TV) uses 2.4GHz frequency thus close proximity to Wi-Fi access points, routers or microwave ovens might interfere with Bluetooth audio streaming. If you face interruptions in audio reception, you should restart your Bluetooth device to find frequency with less interferences and if you continue to face issues you should move closer to TV or increase space between TV and source of interferences.

Bluetooth declaration ID: D058931

Hanging the TV set on the wall

Warning: This operation requires at least two people depending on your TV dimension.

To ensure a safe installation, observe the following safety notes:

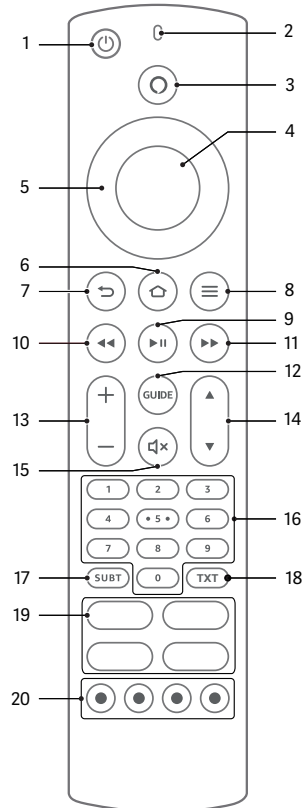
- Check that the wall can support the weight of the TV set and wall mount assembly.
- Follow the mounting instructions provided with the wall mount. For certain models, make sure to screw the hexagonal VESA wall mounting screw bosses (and screws) provided with the set into the nuts for the wall mount at the back of your set before your wall mounting.
- The TV set must be installed on a vertical wall.
- Make sure to use only screws suitable for the material of the wall.
- Make sure that the TV set cables are placed so that there is no danger of tripping over them.

All other safety instructions about our TV sets are also applicable here.

Multi product user manual

The features described in this manual are common to most models. Some features may not be available on your TV and/or your TV may include features that are not described in this user manual. The illustrations in this manual may differ from the actual product. Please refer to the actual product.

Remote control buttons



1. Standby: Standby / On.
2. Microphone opening: Speak into the microphone when using Alexa, including voice search.
3. Voice button: Activates the microphone on the remote.
4. Select: Confirms selections, enters sub-menu.
5. Direction: Navigate up/down or left/right through content. (Navigates menus, setting options, moves the focus or cursor etc. Follow the on-screen instructions)
6. Home: Opens the Home screen. Press and hold to display quick settings menu.
7. Back/Return: Returns to previous menu screen, goes one step back, closes open windows, returns to main screen or Home tab.
8. Options: Displays setting options (where available).
9. Pause/play: Pauses/Plays the selected media.
10. Rewind: Moves frames backwards in media such as movies, scrolls back a day in the channel guide.
11. Fast forward: Moves frames forward in media such as movies, scrolls forward a day in the channel guide.
12. Guide: Displays the channel guide.
13. Volume +/-: Increases/decreases the volume level.
14. Programme +/-: Increases/Decreases channel number in Live TV mode.
15. Mute: Completely turns off the volume of the TV.
16. Numeric buttons: Switches the channel in Live TV mode, enters a number or a letter in the text box on the screen.
17. Subtitle: Displays audio and subtitle options, where you can change the language, size and style preference. (where available).
18. TXT: Opens and closes teletext. (where available in Live TV mode).
19. Featured channel shortcut: lets you directly access featured channels.
Note: Apps are subject to the actual remote control.
20. Coloured buttons: Follow the on-screen instructions for coloured button functions.

* To pair remote with the TV

When TV is turned on for the first time, a pairing process for your remote will be performed during the initial setup. Your remote control should automatically pair with your TV at this point, but if it didn't, follow the on screen instructions to pair it. If you experience difficulties in pairing your remote with your TV you can turn off other wireless devices and try again.

Radio Information

- Bluetooth® transmitter frequency range: 2402–2480MHz
 - Bluetooth® transmitter power: <10dBm
 - 2.4G Wi-Fi transmitter frequency range: 2412–2472MHz
 - 2.4G Wi-Fi transmitter power: <20dBm
 - 5G Wi-Fi transmitter frequency range:
 - Band 1: 5150–5250MHz (<20dBm)
 - Band 2: 5250–5350MHz (<20dBm)
 - Band 3: 5470–5725MHz (<20dBm)
 - Band 4: 5725–5850MHz (<14dBm)
 - DVB-C tuner frequency range: 50–862MHz
 - DVB-T/T2 tuner frequency range: 470–862MHz
 - DVB-S/S2 tuner frequency range: 950–2150MHz
- * In all EU member states, operation of 5150–5350MHz is restricted to indoor use only.

	BE	BG	CZ	DK	DE	EE	IE
	EL	ES	FR	HR	IT	CY	LV
	LT	LU	HU	MT	NL	AT	PL
	PT	RO	SI	SK	FI	SE	UK(NI)

OSS Notice

This product uses the GPL (Version 2 and 3) and LGPL (version 2.1) and MPL (version 1.1).

To send inquiries and requests for questions regarding open source, contact nearest TCL office.

This product uses some software programs which are distributed under the Independent JPEG Group.

This product uses some software programs which are distributed under the libpng Project.

This product uses some software programs which are distributed under the Freetype Project.

This product uses some software programs which are distributed under the zlib Project.

This product uses some software programs (libxml2, curl, expat, c-areas) which are distributed under the MIT.

This product uses CyberLink for C which is distributed under the Open Source Project.

This product uses openssl, xerces which is distributed under the Apache License Project.

GPL software: Linux Kernel, glib, libiconv, gcc libgcc, gcc libstdc++, u-Boot loader, ffmpeg, util-linux-ng, e2fsprogs, wget, iptables

LGPL software: DFB (DirectFB), gstreamer, gst-plugins-base, gst-plugins-good, gst-plugins-bad, gst-plugins-ugly, gst-ffmpeg, glibc, wpa_supplicant

BSD software: webp, mng, uriparser

GNU software: dosfstools

[Legal Statement] of TCL - manufacturer of this TV set

Due to the various capabilities of products featuring the SmartTV - Services, as well as limitations in the available content, certain features, applications, and services may not be available on all devices or in all territories. Some features

on SmartTV may also require additional peripheral devices or membership fees that are sold separately. Please visit our website for more information on specific device information and content availability. The services and availability of content through SmartTV are subject to change from time to time without prior notice.

All content and services accessible through this device belong to third parties and are protected by copyright, patent, trademark and/or other intellectual property laws. Such content and services are provided solely for your personal noncommercial use. You may not use any content or services in a manner that has not been authorized by the content owner or service provider. Without limiting the foregoing, unless expressly authorized by the applicable content owner or service provider, you may not modify, copy, republish, upload, post, transmit, translate, sell, create derivative works, exploit, or distribute in any manner or medium any content or services displayed through this device.

YOU EXPRESSLY ACKNOWLEDGE AND AGREE THAT USE OF THE DEVICE IS AT YOUR SOLE RISK AND THAT THE ENTIRE RISK AS TO SATISFACTORY QUALITY, PERFORMANCE AND ACCURACY IS WITH YOU. THE DEVICE AND ALL THIRD PARTY CONTENT AND SERVICES ARE PROVIDED "AS IS" WITHOUT WARRANTY OF ANY KIND, EITHER EXPRESS OR IMPLIED. TCL EXPRESSLY DISCLAIMS ALL WARRANTIES AND CONDITIONS WITH RESPECT TO THE DEVICE AND ANY CONTENT AND SERVICES, EITHER EXPRESS OR IMPLIED, INCLUDING BUT NOT LIMITED TO, WARRANTIES OF MERCHANTABILITY, OF SATISFACTORY QUALITY, FITNESS FOR A PARTICULAR PURPOSE, OF ACCURACY, OF QUIET ENJOYMENT, AND NON-INFRINGEMENT OF THIRD PARTY RIGHTS. TCL DOES NOT GUARANTEE THE ACCURACY, VALIDITY, TIMELINESS, LEGALITY, OR COMPLETENESS OF ANY CONTENT OR SERVICE MADE AVAILABLE THROUGH THIS DEVICE AND DOES NOT WARRANT THAT THE DEVICE, CONTENT OR SERVICES WILL MEET YOUR REQUIREMENTS, OR THAT OPERATION OF THE DEVICE OR SERVICES WILL BE UNINTERRUPTED OR ERROR-FREE. UNDER NO CIRCUMSTANCES, INCLUDING NEGLIGENCE, SHALL TCL BE LIABLE, WHETHER IN CONTRACT OR TORT, FOR ANY DIRECT, INDIRECT, INCIDENTAL, SPECIAL OR CONSEQUENTIAL DAMAGES, ATTORNEY FEES, EXPENSES, OR ANY OTHER DAMAGES ARISING OUT OF, OR IN CONNECTION WITH, ANY INFORMATION CONTAINED IN, OR AS A RESULT OF THE USE OF THE DEVICE, OR ANY CONTENT OR SERVICE ACCESSED BY YOU OR ANY THIRD PARTY, EVEN IF ADVISED OF THE POSSIBILITY OF SUCH DAMAGES.

Third party services may be changed, suspended, removed, terminated or interrupted, or access may be disabled at any time, without notice, and TCL makes no representation or warranty that any content or service will remain available for any period of time. Content and services are transmitted by

third parties by means of networks and transmission facilities over which TCL has no control. Without limiting the generality of this disclaimer, TCL expressly disclaims any responsibility or liability for any change, interruption, disabling, removal of or suspension of any content or service made available through this device. TCL may impose limits on the use of or access to certain services or content, in any case and without notice or liability. TCL is neither responsible nor liable for customer service related to the content and services. Any question or request for service relating to the content or services should be made directly to the respective content and service providers.

Device update

Typically, some devices are updated quarterly, but not always so specific. Some devices, especially those that went on sale more than three years ago, will only be updated if a critical vulnerability is found and fixed.

Information for Users on Disposal of Old Equipment and Batteries

[European Union]



Products



Pb
Battery

Notice:

The sign Pb below the symbol for batteries indicates that this battery contains lead.

These symbols indicate that the electrical and electronic equipment and the battery with this symbol should not be disposed of as general household waste at their end-of-life. Instead, the products should be handed over to the applicable collection points for the recycling of electrical and electronic equipment as well as batteries for proper treatment, recovery and recycling in accordance with your national legislation and the Directive 2012/19/EU, 2006/66/EC and 2008/12/EC.

By disposing of these products correctly, you will help to conserve natural resources and will help to prevent potential negative effects on the environment and human health which could otherwise be caused by inappropriate waste handling of these products.

For more information about collection points and recycling of these products, please contact your local municipal office, your household waste disposal service or the shop where you purchased the product.

Penalties may be applicable for incorrect disposal of this waste, in accordance with national legislation.

[Business users]

If you wish to dispose of this product, please contact your supplier and check the terms and conditions of the purchase contract.

[Other Countries outside the European Union]

These symbols are only valid in the European Union. If you wish to dispose of these items, please do so in accordance with applicable national legislation or other rules in your country for the treatment of old electrical equipment and batteries.

Amazon, Fire and all related marks are trademarks of Amazon.com, Inc. or its affiliates.

This television is a product of TCL, which is not affiliated with Amazon.com, Inc. or any Amazon affiliate.

You need to be signed in to an Amazon account in order to use online services.

Dear Customer,

Hereby, TCL declares that this device is in compliance with Directive 2014/53/EU. The full text of the EU declaration of conformity is available at the following internet address: www.tcl.com

TCL Operations Polska Sp. z o.o.
ul. A. Mickiewicza 31/41
96-300 Żyrardów, Poland

Email address: zyeee@tcl.com

Figures and illustrations in this User Manual are provided for reference only and may differ from actual product appearance. Product design and specifications may be changed without notice.




Sécurité

Vérifiez que la tension secteur correspond à la tension indiquée sur l'étiquette placée à l'arrière du téléviseur. Lorsque la prise secteur ou la prise multiple est utilisée comme dispositif de débranchement de l'appareil, elle doit rester facilement accessible.

Sur certains modèles, le témoin est situé sur le côté du téléviseur. L'absence d'un témoin à l'avant ne signifie pas que le téléviseur est entièrement débranché du secteur. Pour débrancher complètement le téléviseur, il faut retirer la prise secteur.

Les composants de ce téléviseur sont sensibles à la chaleur. **La température ambiante maximale** ne doit pas dépasser **35°C**. N'obstruez pas les orifices de ventilation situés sur les côtés ou à l'arrière du téléviseur. Laissez suffisamment d'espace autour du téléviseur pour une ventilation efficace. Installez ce téléviseur loin de toute source de chaleur (cheminée, etc.) et de tout appareil générant de fortes ondes magnétiques ou électriques.

Le taux d'humidité de la pièce où le téléviseur est installé ne doit pas excéder **75%**. Le transfert du téléviseur d'un endroit frais à un endroit chaud est susceptible de provoquer de la condensation sur l'écran (et sur certains composants internes). Laissez la condensation s'évaporer avant de rallumer le téléviseur.

La touche  ou **POWER**/ du poste TV ou la touche  de la télécommande permet de l'allumer et le mettre en veille. Si vous **ne prévoyez pas d'utiliser ce téléviseur pendant une longue période, éteignez-le complètement en débranchant** la prise secteur.

En cas d'orage, nous recommandons de débrancher le téléviseur du secteur et de la prise d'antenne, afin qu'il ne soit pas endommagé par d'éventuelles surtensions électriques ou électromagnétiques. Pour cette raison, **la prise d'antenne et la prise secteur** doivent rester facilement accessibles, de manière à pouvoir les **débrancher** en cas de besoin.

Débranchez immédiatement le téléviseur si vous constatez qu'il dégage une **odeur de brûlé** ou **de la fumée**. Vous ne devez en aucun cas ouvrir vous-même le téléviseur, vous risquez de recevoir une **décharge électrique**.

AVERTISSEMENTS

Cet appareil est destiné à un usage domestique en intérieur et ne doit pas être autrement utilisé comme, par exemple, pour un usage non domestique ou dans un environnement commercial.

Si le câble extérieur souple ou le cordon de cet appareil est endommagé, il doit être remplacé par le fabricant ou son agent de service ou par une personne qualifiée afin d'éviter tout danger.

Laissez un espace d'au moins 10 cm autour du téléviseur pour assurer une ventilation adéquate. Pour ne pas gêner la ventilation, les orifices de ventilation ne doivent pas être couverts par des objets tels que journaux, nappes de table, rideaux etc.

L'appareil ne doit pas être exposé au ruissellement ni à la projection d'eau ; évitez de poser des objets remplis de liquides, tels que des vases, au-dessus de l'appareil.

Les piles, même installées, ne doivent pas être exposées à une chaleur excessive telle que soleil, feu etc.

Afin de réduire les risques d'incendie et de choc électrique, n'exposez cet appareil ni à la pluie ni à l'humidité.

Un téléviseur peut tomber et causer de graves blessures corporelles ou même la mort. De nombreuses blessures, en particulier chez les enfants, peuvent être évitées en prenant les

simples précautions suivantes :

- Utilisez TOUJOURS des armoires, des supports ou des méthodes de montage qui sont recommandées par le fabricant du téléviseur.
- Utilisez TOUJOURS des meubles pouvant supporter le poids du téléviseur en toute sécurité.
- Vérifiez TOUJOURS que le téléviseur ne dépasse pas du bord du meuble de support.
- Sensibilisez TOUJOURS les enfants aux risques de grimper sur des meubles pour atteindre le téléviseur ou ses commandes.
- Acheminez TOUJOURS les cordons et les câbles connectés à votre téléviseur de telle sorte que l'on ne puisse les tirer, les saisir ou les piétiner.
- NE placez JAMAIS un téléviseur dans un endroit instable.
- NE placez JAMAIS le téléviseur sur des meubles hauts (par exemple, sur des armoires ou des bibliothèques) sans avoir fixé à la fois le meuble et le téléviseur sur un support approprié.
- NE placez JAMAIS le téléviseur sur un tissu ou un autre matériau se trouvant entre le téléviseur et le meuble de support.
- NE placez JAMAIS des objets qui pourraient inciter les enfants à grimper, comme des jouets et la télécommande, sur le dessus du téléviseur ou le meuble sur lequel le téléviseur est placé.

Si le téléviseur existant est conservé et déplacé, il faut appliquer les mêmes considérations que celles exposées ci-dessus.

Un équipement portant ce symbole est un appareil de classe II ou doté d'une double isolation électrique. Il a été conçu de manière que sa mise à la terre pour la sécurité électrique n'est pas nécessaire. Un équipement ne portant pas ce symbole est un appareil électrique de classe I. L'appareil doit être branché dans une prise secteur disposant d'une mise à la terre.



Afin d'éviter la propagation d'incendie, maintenez toujours bougies ou autres flammes nues éloignées de ce produit.

Ce symbole indique qu'un haut voltage est présent à l'intérieur. Il est dangereux d'établir tout type de contact avec une partie interne de ce produit.

Ce symbole indique que le fusible peut être au neutre et que le secteur doit être déconnecté pour mettre hors tension les conducteurs de phase.

Afin d'éviter toute blessure, cet appareil doit être solidement fixé au sol/mur selon les instructions d'installation.

Pour réduire le risque d'exposition au rayonnement RF, la distance d'utilisation de cet appareil doit être d'au moins 100 cm.

Si une antenne extérieure ou un système de câble est connecté au produit, faites en sorte qu'un homme du métier les mette correctement à la terre, afin de vous protéger contre les surtensions et les charges statiques accumulées.

Écran TV

L'écran télé de cet appareil est en verre. Il peut facilement se briser sous l'effet d'une chute ou d'un choc.

L'écran télé est un produit de haute technologie reproduisant des images nettes au moindre détail. Il peut arriver, occasionnellement, que quelques points fixes bleus, verts ou rouges, apparaissent sur l'écran. Ces points n'affectent pas les performances de l'appareil.

Entretien

Utilisez un produit de nettoyage de vitres pour nettoyer l'écran et un tissu doux imbibé d'un détergent doux pour le reste du téléviseur.

Important : L'utilisation d'un détergent agressif, de produits abrasifs ou à base d'alcool peuvent endommager l'écran.

Dépoussiérez régulièrement les orifices de ventilation situés sur les côtés et à l'arrière du téléviseur. L'utilisation de solvants, de produits abrasifs et de produits à base d'alcool peuvent endommager le téléviseur. Si un objet ou un liquide pénètre à l'intérieur du téléviseur, le débrancher immédiatement et le faire contrôler par un technicien agréé. N'ouvrez en aucun cas ce téléviseur par vos propres moyens ; vous pourriez vous blesser ou l'endommager.

Réglementation ESD

Cet appareil est conforme aux critères de performance relatifs aux décharges électrostatiques. Une intervention de l'utilisateur est requise dans le cas où l'appareil ne redémarre pas en mode connexion Ethernet ou en mode lecture USB à cause d'une décharge électrostatique.

Avis relatif à la fonction Bluetooth

La technologie Bluetooth® (si disponible sur votre téléviseur) utilise une fréquence de 2,4 GHz ; la proximité de points d'accès Wi-Fi, de routeurs ou de fours micro-ondes est donc susceptible d'interférer avec la diffusion audio Bluetooth. Si vous constatez des interruptions de la réception audio, redémarrez votre dispositif Bluetooth pour trouver une fréquence avec moins d'interférences. Si vous rencontrez toujours des problèmes, rapprochez-vous du téléviseur ou augmentez la distance entre le téléviseur et la source d'interférences.

Code de déclaration Bluetooth : D058931

Accrocher le téléviseur à un mur

Avertissement : Cette opération nécessite au moins deux personnes compte tenu des dimensions de votre téléviseur.

Pour une installation sans danger, respectez les consignes de sécurité suivantes :

- Vérifiez que le mur ou la cloison est capable de supporter le poids du téléviseur et du support mural.
- Suivez les instructions d'installation fournies avec le support mural. Sur certains modèles, veillez à visser les blocs (et vis) de fixation murale VESA hexagonaux livrés avec l'appareil dans les écrous de montage mural situés à l'arrière de l'appareil avant de procéder au montage mural.
- Le téléviseur doit être installé sur un mur vertical.
- N'utilisez que des vis adaptées au matériau de construction du mur.
- Acheminez les câbles du téléviseur de sorte qu'ils ne représentent pas de danger si une personne s'y prend les pieds par inadvertance.

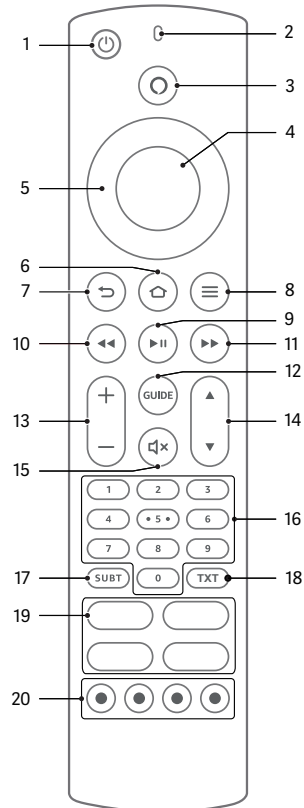
Toutes les autres consignes de sécurité relatives aux téléviseurs sont également applicables.

Guide d'utilisation multi-produit

Les fonctions décrites dans le présent manuel sont communes à la plupart des modèles. Certaines fonctions peuvent être absentes sur votre téléviseur et/ou votre téléviseur peut inclure des fonctions qui ne sont pas décrites dans le présent manuel. Les illustrations

du présent manuel peuvent être différentes de celles du produit réel. Veuillez vous référer au produit réel.

Touches de la télécommande



1. Veille: veille/allumé.
 2. Ouverture du microphone: parlez dans le microphone lorsque vous utilisez Alexa, y compris la recherche vocale.
 3. Bouton de commande vocale: permet d'activer le microphone de la télécommande.
 4. Sélection: permet de confirmer la sélection et d'accéder au sous-menu.
 5. Direction: permet de naviguer vers le haut/bas ou vers la gauche/droite dans le contenu. (permet de naviguer dans les menus, de régler les options, de changer la sélection ou le curseur, etc. Suivez les instructions à l'écran)
 6. Accueil: permet d'ouvrir l'écran d'accueil. Maintenez la touche enfoncée sur la touche pour afficher le menu des paramètres rapides.
 7. Précédent/Retour: permet de revenir à l'écran de menu précédent, de revenir en arrière, de fermer les fenêtres. ouvertes, de revenir à l'écran principal ou à l'onglet Accueil.
 8. Options: permet d'afficher les options des paramètres. (le cas échéant)
 9. Pause/Lecture: permet de mere en pause/lire le média sélectionné.
 10. Retour rapide: permet de revenir en arrière dans les médias tels que les films, de reculer d'un jour dans le guide des chaînes
 11. Avance rapide: permet d'avancer dans les médias tels que les films, d'avancer d'un jour dans le guide des chaînes.
 12. Guide: permet d'afficher le guide des chaînes.
 13. Volume +/-: permet d'augmenter/de diminuer le volume.
 14. Programme +/-: permet d'augmenter/de diminuer le numéro de la chaîne en mode TV en direct.
 15. Muet: permet de désactiver complètement le volume du téléviseur.
 16. Touches numériques: permet de changer de chaîne en mode TV en direct, de saisir un chiffre ou une lere dans la zone de texte à l'écran.
 17. Sous-titres: permet d'afficher les options audio et de sous-titres ainsi que de modifier la langue, la taille et le style. (le cas échéant)
 - 18.TXT: permet d'ouvrir et de fermer le télétexte. (si disponible en mode TV en direct)
 19. Raccourci des chaînes en vedette: vous permet d'accéder directement aux chaînes en vedette.
- Remarque: les applications sont soumises à la télécommande réelle.
20. Boutons de couleur: suivez les instructions à l'écran pour découvrir les fonctions des boutons de couleur.

*** Pour coupler la télécommande avec le téléviseur**


Lors de la première mise sous tension du téléviseur, un processus de couplage de votre télécommande est effectuélors de la configuration initiale.

À ce stade, votre télécommande devrait se coupler automatiquement avec votre téléviseur. Le cas échéant, suivez les instructions à l'écran pour la coupler. Si vous rencontrez des difficultés lors du couplage de votre télécommande

avec votre téléviseur, vous pouvez éteindre les autres appareils sans fil et réessayer.

Informations sur la radio

- Plage de fréquence du transmetteur Bluetooth® : 2402–2480MHz
- Puissance de l'émetteur Bluetooth® : <10dBm
- Plage de fréquence du transmetteur Wi-Fi 2,4G : 2412–2472MHz
- Puissance de l'émetteur Wi-Fi 2,4G : <20dBm
- Plage de fréquence de l'émetteur Wi-Fi 5G :
 - Bande 1: 5150–5250MHz (<20dBm)
 - Bande 2: 5250–5350MHz (<20dBm)
 - Bande 3: 5470–5725MHz (<20dBm)
 - Bande 4: 5725–5850MHz (<14dBm)
- Plage de fréquence du tuner DVB-C : 50–862MHz
- Plage de fréquence du tuner DVB-T/T2 : 470–862MHz
- Plage de fréquence du tuner DVB-S/S2 : 950–2150MHz
- * Dans tous les États membres de la communauté européenne, le fonctionnement de 5150 à 5350 MHz est conçue pour un usage interne uniquement.

	BE	BG	CZ	DK	DE	EE	IE
	EL	ES	FR	HR	IT	CY	LV
	LT	LU	HU	MT	NL	AT	PL
	PT	RO	SI	SK	FI	SE	UK(NI)

Notice du logiciel GPL-OSS

Ce produit utilise la Licence Publique Générale (GPL) (version 2 et 3) et la Licence publique générale limitée (LGPL) (version 2.1) et la Mozilla Public Licence (MPL) (version 1.1).

Pour tout éclaircissement ou toutes questions concernant le code source libre, contactez le bureau TCL le plus proche.

Ce produit utilise des logiciels qui sont distribués par l'Independent JPEG Group.

Ce produit utilise des logiciels qui sont distribués par libpng Project.

Ce produit utilise des logiciels qui sont distribués par Freetype Project.

Ce produit utilise des logiciels qui sont distribués par zlib Project.

Ce produit utilise certains logiciels (libxml2, curl, expat, c-areas) qui sont distribués sous licence MIT.

Ce produit utilise CyberLink C qui est distribué comme Logiciel Libre (Open Source).

Ce produit utilise opensl et xerces qui sont distribués sous la licence Apache.

Logiciel GPL : Linux Kernel, glib, libiconv, gcc libgcc, gcc libstdc++, u-Boot loader, ffmpeg, util-linux-ng, e2fsprogs, wget, iptables

Logiciel LGPL : DFB (DirectFB), gstreamer, gst-plugins-base, gst-plugins-good, gst-plugins-bad, gst-plugins-ugly, gst-ffmpeg, glibc, wpa_supplicant

BSD software : wepb, mng, uriparser

Logiciel GNU : dosfstools

[Disposition juridique] de TCL – fabricant de ce téléviseur

En raison de la diversité des produits offrant les services SmartTV, ainsi que des limitations dans le contenu disponible, certaines fonctions, certaines applications et certains services peuvent ne pas être disponibles sur tous les appareils ou dans toutes les régions. Certaines fonctions SmartTV peuvent nécessiter un équipement ou une souscription supplémentaire, à acquérir

séparément. N'hésitez pas à visiter notre site Internet pour en savoir plus sur les matériels et sur la disponibilité des contenus. Les services et la disponibilité des contenus accessibles depuis votre SmartTV sont susceptibles d'être modifiés sans notification préalable.

Tous les contenus et les services accessibles depuis cet appareil appartiennent à des tiers et sont protégés par un copyright, un brevet, une marque déposée et/ou un autre droit de propriété intellectuelle. Ces contenus et services vous sont fournis uniquement pour une utilisation personnelle non commerciale. Il vous est interdit d'utiliser un contenu ou un service d'une manière qui n'a pas été autorisée par le propriétaire ou le fournisseur du contenu ou du service. Sans préjudice de ce qui précède, et sauf autorisation expresse du propriétaire du contenu ou du fournisseur du service, il vous est interdit de modifier, copier, republier, charger, poster, transmettre, traduire, vendre, créer des œuvres dérivées, exploiter ou distribuer, d'une manière ou d'une autre et sur tout support, un contenu ou un service accessible depuis cet appareil.

VOUS RECONNAISSEZ DE MANIÈRE EXPRESSE ET VOUS ACCEPTEZ QUE L'UTILISATION DE CET APPAREIL EST À VOTRE SEUL RISQUE ET QUE VOUS ASSUMEZ ENTIÈREMENT LE RISQUE QUANT À UNE QUALITÉ, PERFORMANCES ET UNE PRÉCISION SATISFAISANTES. L'APPAREIL ET LES CONTENUS/SERVICES TIERS SONT FOURNIS « TELS QUE », SANS GARANTIE D'AUCUNE SORTIE, AUSSI BIEN EXPRESSE QU'IMPLICITE. TCL DÉCLINE EXPRESSÉMENT TOUTE GARANTIE ET CONDITION CONCERNANT L'APPAREIL ET LES CONTENUS/SERVICES, EXPRESSE OU IMPLICITE, Y COMPRIS, SANS S'Y LIMITER, TOUTE GARANTIE DE QUALITÉ MARCHANDE, UNE QUALITÉ SATISFAISANTE, L'ADÉQUATION À UN USAGE PARTICULIER, LA PRÉCISION, UTILISATION SÉRÈNE, ET LA NON-VIOLATION DE DROITS APPARTENANT À DES TIERS. TCL NE GARANTIT PAS L'EXACTITUDE, LA VALIDITÉ, L'OPPORTUNITÉ, LA LÉGALITÉ ET L'EXHAUSTIVITÉ DE TOUT CONTENU OU SERVICE ACCESSIBLE DEPUIS CET APPAREIL, NI GARANTIT QUE L'APPAREIL, LE CONTENU OU LES SERVICES RÉPONDENT À VOS EXIGENCES, NI QUE LE FONCTIONNEMENT DE L'APPAREIL ET DES SERVICES SERA ININTERROMPU OU SANS ERREUR. EN AUCUNE CIRCONSTANCE, Y COMPRIS LA NÉGLIGENCE, TCL NE PEUT ÊTRE TENU RESPONSABLE, AUSSI BIEN SUR UNE BASE CONTRACTUELLE QUE DÉLICTEUELLE, DES DOMMAGES DIRECTS, INDIRECTS, FORTUITS, SPÉCIAUX OU CONSÉCUTIFS, DES FRAIS D'AVOCAT, DES DÉPENSES, OU DE TOUT AUTRE DOMMAGE CONSÉCUTIF À, OU EN RELATION AVEC, TOUTE INFORMATION FOURNIE AVEC L'APPAREIL, OU L'UTILISATION DE L'APPAREIL, OU L'ACCÈS À UN CONTENU OU À UN SERVICE PAR VOUS-MÊME OU UN TIERS, MÊME APRÈS NOTIFICATION DE LA POSSIBILITÉ DE TELS DOMMAGES.

Les services tiers peuvent être modifiés, suspendus, retirés, arrêtés ou interrompus, ou non accessibles à tout moment, sans notification préalable, et TCL ne fait aucune représentation ni n'offre de garantie quant à la permanence de disponibilité d'un contenu ou d'un service, pour quelque durée que ce soit. Les contenus et les services sont fournis via des réseaux et des installations de transmission tiers sur lesquels TCL n'a aucun contrôle. Sans limiter la généralité de ces clauses de non-responsabilité, TCL rejette expressément toute responsabilité

quant à la modification, l'interruption, la désactivation, le retrait ou la suspension de tout contenu ou service disponible depuis cet appareil. TCL se réserve le droit de limiter l'utilisation ou l'accès à certains services ou contenus, quelle que soit la situation et sans notification préalable ni responsabilité. TCL n'est pas responsable du service client fourni quant aux contenus et aux services. Toute question ou demande concernant les contenus et les services doit être adressée directement aux fournisseurs de ces contenus et services.

Mise à jour de l'appareil

En règle générale, les appareils sont mis à jour tous les trimestres, mais ce n'est pas toujours le cas. Certains appareils, en particulier ceux qui ont été mis en vente il y a plus de trois ans, ne seront mis à jour que si une vulnérabilité critique a été trouvée et a été corrigée.

Informations pour les utilisateurs sur l'élimination des batteries et appareils usés

[Union européenne]

Les symboles suivants indiquent que les équipements électriques et électroniques et les batteries marqués avec ce symbole ne doivent pas être éliminés comme des déchets ménagers à leur fin de vie. Les produits doivent être plutôt remis aux points de collecte pour le recyclage des équipements électriques et électroniques ainsi que des batteries pour un traitement, une revalorisation et un recyclage correct et en conformité avec la législation nationale et la directive 2012/19/UE, 2006/66/CE et 2008/12/CE.

En éliminant ces produits de façon appropriée, vous contribuez à préserver les ressources naturelles et à prévenir les effets négatifs potentiels sur l'environnement et la santé humaine qui pourraient autrement être causés par le traitement inapproprié des déchets de ces produits.

Pour obtenir des informations plus détaillées sur le recyclage de ce produit, veuillez contacter votre bureau municipal local, votre service des ordures ménagères ou le magasin où vous l'avez acheté.

Selon la législation nationale, des sanctions peuvent être appliquées en cas d'élimination incorrecte de ces déchets.

[Usagers professionnels]

Si vous souhaitez éliminer ce produit, contactez votre revendeur et consultez les termes et conditions du contrat d'achat.

[Autres pays en dehors de l'Union Européenne]

Ces symboles ne sont valables qu'à l'intérieur de l'Union européenne. Pour éliminer ces produits, il convient de respecter la législation nationale applicable ou d'autres règlements de votre pays pour le traitement des équipements électriques et électroniques et les batteries usés.

Amazon, Fire, et toutes les marques associées sont des marques d'Amazon.com, Inc. ou de ses sociétés affiliées.

Cette télévision est un produit de TCL, qui n'est pas affilié à Amazon.com, Inc. ou à toute autre société affiliée à Amazon. Votre télévision doit être connectée à un compte Amazon pour utiliser les services en ligne.



Produits



Pb
Batterie

Remarque :

Le symbole Pb situé en dessous du symbole de la batterie indique que celle-ci contient du plomb.

Cher client,

Hereby, TCL déclare par la présente que ce produit est conforme aux exigences de la directive 2014/53/EU. Le texte intégral de la déclaration de conformité UE est disponible à l'adresse Internet suivante: www.tcl.com

TCL Operations Polska Sp. z o.o.
ul. A. Mickiewicza 31/41
96-300 Żyrardów, Poland

Adresse email : zyeee@tcl.com

Les figures et les illustrations contenues dans ce manuel d'utilisation sont fournies à titre indicatif et peuvent différer du produit réel. La conception et les caractéristiques du produit sont sujettes à modifications sans préavis.




Sicherheit

Vergewissern Sie sich, dass die Netzspannung bei Ihnen zuhause der auf dem Typenschild auf der Geräterückseite angegebenen Spannung entspricht. Werden der Netzstecker, der AC-Netzeingang oder ein Gerätesteckverbinder als Trennvorrichtung verwendet, müssen diese immer frei zugänglich sein.

Bei einigen Modellen befindet sich die Kontrollleuchte auf der Seite des Fernsehgeräts. Ist an der Vorderseite keine Leuchtanzeige zu sehen, bedeutet dies nicht, dass das Gerät vollständig vom Netz getrennt ist. Um das Fernsehgerät vollständig vom Netz zu trennen, muss der Netzstecker gezogen werden.

Die Bauteile des Fernsehgeräts sind hitzeempfindlich. Die **maximale Umgebungstemperatur** sollte **35° Celsius** nicht überschreiten. Decken Sie die Belüftungsöffnungen an der Rückseite oder den Seiten des Fernsehgeräts nicht ab. Lassen Sie um das Gerät herum genügend Platz frei, um eine gute Belüftung zu ermöglichen. Stellen Sie das Gerät nicht in der Nähe von Wärmequellen (offener Kamin usw.) oder von Geräten auf, die starke elektrische oder magnetische Felder erzeugen.

Die Feuchtigkeit in den Räumen, in denen das Gerät aufgestellt wird, darf **75% Luftfeuchtigkeit** nicht übersteigen. Wird das Gerät von einem kalten an einen warmen Ort gebracht, kann sich auf dem Bildschirm (und auf bestimmten Bestandteilen im Geräteinnern) Kondensation bilden. Lassen Sie eventuelles Kondenswasser verdunsten, bevor Sie das Fernsehgerät wieder einschalten.

Mit den Tasten  oder **POWER**/ auf dem Fernsehgerät bzw.  auf der Fernbedienung schalten Sie das Gerät ein oder aus (Stand-by-Modus). Wenn Sie **das Fernsehgerät für längere Zeit nicht benutzen**, schalten Sie es komplett aus, indem Sie den Netzstecker aus der Steckdose ziehen.

Bei **Gewittern** sollten Sie das Fernsehgerät vom Netz und vom Antennenanschluss trennen, damit es nicht durch elektrische oder elektromagnetische Stromspitzen beschädigt werden kann. **Netz- und Antennenanschlüsse** sollten daher leicht zugänglich sein, damit sie bei Bedarf **getrennt** werden können.

Trennen Sie das Fernsehgerät sofort vom Netz, wenn von diesem **Brandgeruch** oder **Rauch** ausgeht. Sie dürfen das Gerät unter keinen Umständen selbst öffnen, da Sie dadurch einen **elektrischen Schlag** riskieren könnten.

WARNUNGEN

Dieses Gerät ist nur für den Gebrauch in privaten Haushalten geeignet und darf nicht für andere Anwendungen, wie für nicht-private oder für gewerbliche Zwecke, verwendet werden.

Im Falle von Beschädigungen muss das externe flexible Netzkabel vom Hersteller, einem autorisierten Kundendienstmitarbeiter oder einer ähnlich qualifizierten Person ersetzt werden, um Gefährdungen zu vermeiden.

Lassen Sie für eine ausreichende Belüftung mehr als 10 cm Abstand um das Fernsehgerät herum. Die Belüftung darf nicht durch das Abdecken der Belüftungsöffnungen mit Gegenständen wie Zeitungen, Tischdecken, Gardinen usw. beeinträchtigt werden.

Das Gerät ist nicht gegen Tropfen oder Spritzwasser geschützt, und es dürfen keine mit Flüssigkeit gefüllten Gegenstände wie Vasen auf das Gerät gestellt werden.

Batterien (installierte Batteriepackung oder Batterien) müssen vor extremer Wärme wie Sonneneinstrahlung, Feuer oder ähnlichem geschützt werden.

Um die Gefahr von Feuer oder Stromschlag zu vermeiden, muss

dieses Gerät vor Regen und Feuchtigkeit geschützt werden.

Ein Fernseher kann herunterfallen und schwere oder sogar tödliche Verletzungen verursachen. Viele Verletzungen, insbesondere die Verletzungen an Kindern, können durch einfache Schutzmaßnahmen vermieden werden, wie z.B.:

- Verwenden Sie bitte **IMMER** die Schränke oder Ständer oder Montagemethoden, die vom Hersteller des Fernsehers empfohlen werden.
- Verwenden Sie bitte **IMMER** die Möbel, die den Fernseher sicher tragen können.
- Stellen Sie bitte **IMMER** sicher, dass der Fernseher nicht über die Kante der Stütz Möbel hinausragt.
- Weisen Sie bitte **IMMER** auf die Gefahren hin, wenn Ihre Kinder auf Möbel klettern und versuchen, den Fernseher bzw. dessen Bedienelemente zu berühren.
- Verlegen Sie bitte die an Ihren Fernseher angeschlossenen Kabel und Leitungen **IMMER** so, dass sie den Durchgang nicht verhindern bzw. nicht einfach abzuziehen oder zu ergreifen sind.
- Stellen Sie bitte den Fernseher **NIMMER** an einer instabilen Stelle auf.
- Stellen Sie bitte den Fernseher **NIMMER** auf hohe Möbel (z. B. Schränke oder Bücherregale), wenn die Möbel bzw. der Fernseher nicht mit einem geeigneten Träger gestützt werden.
- Stellen Sie bitte den Fernseher **NIMMER** auf einen Stoff oder ein ähnliches Material, das zwischen dem Fernseher und den tragenden Möbeln liegen können.
- Stellen Sie bitte **NIMMER** Gegenstände, die Kinder zum Klettern auf den Fernseher oder die Möbel unterstützen können, z.B. Spielzeuge oder Fernbedienelemente an der Stelle, wo der Fernseher aufgestellt wird.

Wenn der vorhandene Fernseher beizubehalten oder zu verlegen ist, sollten die gleichen Anforderungen wie oben erwähnt erfüllt werden.

Mit diesem Symbol gekennzeichnete Geräte sind Geräte der Klasse II oder doppelt isolierte elektrische Geräte. Die Bauweise dieses Geräts erfordert keinen Anschluss an eine geerdete Stromversorgung. Geräte ohne dieses Symbol sind elektrische Geräte der Klasse I. Diese müssen an eine Steckdose mit geerdetem Schutzleiter angeschlossen werden.



Stellen Sie das Gerät nicht in der Nähe von Kerzen oder anderen offenen Flammen auf, um die Ausbreitung von Bränden zu verhindern.



Dieses Symbol weist darauf hin, dass eine Hohe Spannung vorhanden ist. Es ist sehr gefährlich mit irgendein internes Teil dieses Produktes in Kontakt zu kommen.



Dieses Symbol weist darauf hin, dass die Sicherung in neutraler Position ist, und das Netz wird ausgeschaltet, um den Außenleiter abzuschalten.

Dieses Gerät muss in Übereinstimmung mit den Installationsanweisungen am Boden bzw. an der Wand befestigt werden, um Verletzungen zu vermeiden.

Um die Gefahr von Hochfrequenzbelastungen zu reduzieren, muss während des Gebrauchs ein Mindestabstand von 100 cm zum Gerät eingehalten werden.

Wenn eine Außenantenne oder ein Kabelsystem am Produkt

angeschlossen ist, dann vergewissern Sie sich, dass diese Antenne bzw. das Kabelsystem durch eine Fachkraft geerdet wurde, um gegen Spannungsspitzen oder statischen Aufladungen geschützt zu sein.

TV-Bildschirm

Der Bildschirm dieses Geräts besteht aus Glas. Er kann beim Herunterfallen, oder wenn er stark angestoßen wird, zerbrechen.

Der Bildschirm ist ein Hochtechnologieprodukt und liefert ein detailliertes Bild. Gelegentlich können einige nicht aktive Pixel auftreten, die Sie als blaue, grüne oder rote Punkte wahrnehmen. Dies beeinflusst nicht die Leistung des Geräts.

Pflege

Verwenden Sie zur Reinigung des Bildschirms einen Glasreiniger, und für das übrige Gerät ein weiches Tuch und ein mildes Reinigungsmittel.

Wichtig: Bei Verwendung von starken Reinigungsmitteln sowie alkoholhaltigen Produkten oder Scheuermitteln könnte der Bildschirm beschädigt werden.

Entfernen Sie regelmäßig den Staub von den Belüftungsöffnungen an den Seiten und auf der Rückseite. Bei Verwendung von Lösungsmitteln, alkoholhaltigen Produkten oder Scheuermitteln könnte das Fernsehgerät beschädigt werden. Sollten Gegenstände oder Flüssigkeiten in das Gerät eindringen, trennen Sie es sofort vom Netz, und lassen Sie es von einem autorisierten Techniker überprüfen. Öffnen Sie das Gerät niemals selbst, da Sie sich dadurch selbst gefährden oder das Gerät beschädigen könnten.

ESD-Vorschriften

Dieses Gerät entspricht den ESD-Leistungskriterien. Falls das Gerät durch eine elektrostatische Entladung des Ethernet-Verbindungsmodus oder den USB-Wiedergabemodus verliert, dann ist ein Benutzereingriff erforderlich.

Hinweis zur Bluetooth-Funktion

Bluetooth®-Technologie (sofern in Ihrem Fernsehgerät enthalten) verwendet eine Frequenz von 2,4 GHz, aufgrund derer die Bluetooth-Audioübertragung in der Nähe von Wi-Fi-Zugangspunkten, Routern oder Mikrowellen beeinträchtigt werden kann. Falls der Audioempfang gestört ist, starten Sie Ihr Bluetooth-Gerät erneut, um eine Frequenz mit weniger Störungen zu suchen. Sollte der Empfang dann noch immer gestört sein, reduzieren oder erhöhen Sie den Abstand zwischen dem Fernsehgerät und der Störquelle.

Bluetooth-Zulassungskennung: D058931

Wandmontage des Fernsehgeräts

Achtung: Für diesen Vorgang sind je nach Größe Ihres Fernsehgeräts mindestens zwei Personen erforderlich.

Beachten Sie für eine sichere Montage die folgenden Hinweise:

- Überprüfen Sie, ob die Wand das Gewicht des Fernsehgeräts und der Wandaufhängung tragen kann.
- Befolgen Sie die Montagehinweise, die Sie mit der Wandaufhängung erhalten haben. Bei bestimmten Modellen müssen Sie die mitgelieferten Schraubdomes (und Schrauben) der sechseckigen VESA-Wandhalterung in die Schraubenmuttern für die Wandhalterung auf der Rückseite Ihres Fernsehgeräts schrauben, bevor Sie es an der Wand anbringen.
- Das Fernsehgerät muss an einer senkrechten Wand montiert werden.

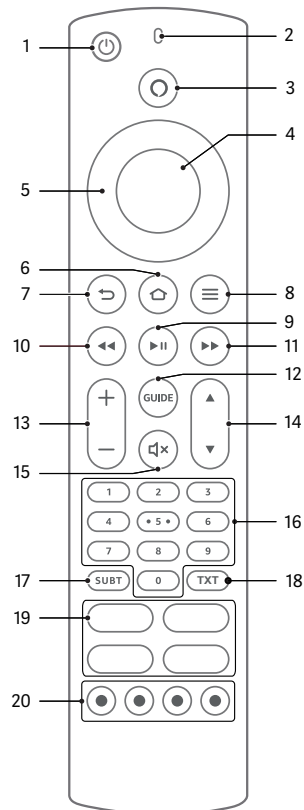
- Verwenden Sie für das Wandmaterial geeignete Schrauben.
- Verlegen Sie die Kabel des Fernsehgeräts so, dass niemand darüber stolpern kann.

Sämtliche anderen Sicherheitshinweise zu unseren Fernsehgeräten sind hier ebenfalls maßgeblich.

Benutzerhandbuch für mehrere Produkte

Die in diesem Handbuch beschriebenen Funktionen gelten für die meisten Modelle. Einige Funktionen könnten bei Ihrem Modell nicht verfügbar sein, und/oder Ihr Fernsehgerät könnte über Funktionen verfügen, die nicht in diesem Handbuch beschrieben sind. Die Abbildungen in diesem Handbuch können vom tatsächlichen Produkt abweichen. Beziehen Sie sich bitte auf das tatsächliche Produkt.

Tasten der Fernbedienung



1. Standby: Standby/Einschalten.
 2. Mikrofonöffnung: Sprechen Sie in das Mikrofon, wenn Sie Alexa verwenden, einschließlich der Sprachsuche.
 3. Sprachtaste: Mikrofon der Fernbedienung aktivieren.
 4. Auswählen: Auswahl bestätigen oder Untermenü aufrufen.
 5. Richtung: Nach oben/unten oder links/rechts durch Inhalte navigieren. (Navigieren Sie durch Menüs und Einstellungsoptionen, bewegen Sie den Fokus oder Cursor usw. Folgen Sie den Anweisungen am Bildschirm)
 6. Start: Startbildschirm öffnen. Drücken und halten um das Menü für die Schnelleinstellungen aufzurufen.
 7. Zurück: Zum vorherigen Menübildschirm zurückkehren, einen Schri zurückgehen, offene Fenster schließen, zum Hauptbildschirm oder zur Startseite zurückkehren.
 8. Optionen: Einstellungsoptionen anzeigen. (sofern verfügbar)
 9. Pause/Wiedergabe: Ausgewähltes Medium anhalten/wiedergeben.
 10. Zurückschleifen: In Medien wie Filmen zurückschleifen, im Programmführer einen Tag zurück blättern.
 11. Vorspulen: In Medien wie Filmen vorspulen, im Programmführer einen Tag vorwärts blättern.
 12. Guide: Programmführer öffnen.
 13. Lautstärke +/-: Lautstärke erhöhen/verringern.
 14. Programm +/-: Im Live-TV-Modus den Kanal vor/zurück wechseln.
 15. Stumm: TV-Gerät stummschalten.
 16. Zahlentasten: Im Live-TV-Modus den Kanal wechseln, Zahlen oder Buchstaben in das Textfeld auf dem Bildschirm eingeben.
 17. Untertitel: Audio- und Untertiteloptionen anzeigen, Sprache, Größe und bevorzugte Schriart ändern. (sofern verfügbar)
 18. TXT: Teletext öffnen und schließen. (sofern im Live-TV-Modus verfügbar)
 19. Shortcut für empfohlene Kanäle: Ermöglicht Ihnen den direkten Zugriff auf empfohlene Kanäle.
- Hinweis: Apps unterliegen der eigentlichen Fernbedienung.
20. Farbige Tasten: Folgen Sie den Anweisungen am Bildschirm für die Funktionen der farbigen Tasten.

*Koppeln der Fernbedienung mit dem TV-Gerät
 Beim ersten Einschalten des TV-Geräts erfolgt während der Ersteinrichtung ein Kopplungsprozess für die Fernbedienung. Ihre Fernbedienung sollte dann automatisch mit dem Fernsehgerät gekoppelt werden. Sollte dies nicht der Fall sein, folgen Sie den Anweisungen am Bildschirm, um sie zu koppeln. Wenn Sie Schwierigkeiten haben, Ihre Fernbedienung mit Ihrem TV-Gerät zu koppeln, schalten Sie andere drahtlose Geräte aus und versuchen Sie es erneut.

Radioinformationen

- Frequenzbereich Bluetooth®-Transmitter: 2402–2480MHz
 - Leistung Bluetooth®-Transmitter: <10dBm
 - Frequenzbereich 2.4G Wi-Fi-Transmitter: 2412–2472MHz
 - Leistung 2.4G Wi-Fi-Transmitter: <20dBm
 - Frequenzbereich 5G Wi-Fi-Transmitter:
 - Band 1: 5150–5250MHz (<20dBm)
 - Band 2: 5250–5350MHz (<20dBm)
 - Band 3: 5470–5725MHz (<20dBm)
 - Band 4: 5725–5850MHz (<14dBm)
 - Frequenzbereich DVB-C-Tuner: 50–862MHz
 - Frequenzbereich DVB-T/T2-Tuner: 470–862MHz
 - Frequenzbereich DVB-S/S2-Tuner: 950–2150MHz
- * In allen EU-Mitgliedsstaaten ist die Nutzung von Frequenzen im Bereich 5150–5350MHz auf den Innengebrauch beschränkt.

	BE	BG	CZ	DK	DE	EE	IE
	EL	ES	FR	HR	IT	CY	LV
	LT	LU	HU	MT	NL	AT	PL
	PT	RO	SI	SK	FI	SE	UK(NI)

OSS-Hinweis

Dieses Produkt verwendet GPL (Version 2 und 3), LGPL (Version 2.1) und MPL (Version 1.1).
 Zum Senden von Anfragen und Bitten um Fragen bezüglich Open Source wenden Sie sich bitte an das nächste TCL-Büro.
 Einige der in diesem Produkt verwendeten Softwareprogramme werden von der Independent JPEG Group vertrieben.
 Einige der in diesem Produkt verwendeten Softwareprogramme werden im Rahmen des libpng Project vertrieben.
 Einige der in diesem Produkt verwendeten Softwareprogramme werden im Rahmen des Freetype Project vertrieben.
 Einige der in diesem Produkt verwendeten Softwareprogramme werden unter der zlib Lizenz vertrieben.
 Dieses Produkt verwendet einige Softwareanwendungen (libxml2, curl, expat, c-areas), die unter der MIT-Lizenz vertrieben werden.
 Dieses Produkt verwendet CyberLink für C, welches unter Open-Source-Lizenz vertrieben wird.
 Dieses Produkt verwendet openssl und xerces, die unter Apache-Lizenz vertrieben werden.
 GPL Software: Linux Kernel, glib, libiconv, gcc libgcc, gcc libstdc++, u-Boot loader, ffmpeg, util-linux-ng, e2fsprogs, wget, iptables
 LGPL Software: DFB (DirectFB), gstreamer, gst-plugins-base, gst-plugins-good, gst-plugins-bad, gst-plugins-ugly, gst-ffmpeg, glibc, wpa_supplicant
 BSD-Software: webp, mng, uriparser
 GNU-Software: dosfstools

[Rechtlicher Hinweis] von TCL – dem Hersteller dieses Fernsehgeräts

Aufgrund der vielfältigen Funktionen von Produkten mit SmartTV-Diensten und begrenzt verfügbarer Inhalte sind bestimmte Funktionen, Anwendungen oder Dienste nicht mit allen Geräten oder in allen Regionen verfügbar. Einige SmartTV-Funktionen erfordern möglicherweise zusätzliche Peripheriegeräte oder separat zu zahlende Mitgliedsbeiträge. Bitte besuchen Sie unsere Webseite für mehr Informationen über bestimmte Geräte und die Verfügbarkeit von Inhalten. Die Dienste und Verfügbarkeit von

SmartTV-Inhalten unterliegen gelegentlichen und nicht vorher angekündigten Änderungen.

Alle über dieses Gerät angebotenen Inhalte und Dienste sind Eigentum Dritter und durch Urheberrechte, Patente, Markenzeichen und/oder geistige Eigentumsrechte geschützt. Solche Inhalte und Dienste werden Ihnen nur für private, nicht gewerbliche Zwecke angeboten. Es ist untersagt, Inhalte oder Dienste für Zwecke zu verwenden, die nicht vom Eigentümer oder Anbieter der Inhalte oder Dienste autorisiert wurden. Unbeschadet der Gültigkeit des Vorangehenden ist es ohne ausdrückliche Zustimmung der Eigentümer oder Anbieter der Inhalte oder Dienste nicht erlaubt, über dieses Gerät angebotene Inhalte oder Dienste auf irgendeine Art und Weise oder über ein Medium zu modifizieren, zu kopieren, neu zu veröffentlichen, hochzuladen, ins Internet zu stellen, zu übertragen, zu übersetzen, zu verkaufen, zu verwerten, zu vertreiben oder davon abgeleitete Erzeugnisse zu erstellen.

SIE ERKENNEN AUSDRÜCKLICH AN UND STIMMEN ZU, DASS SIE DAS GERÄT AUF EIGENE GEFAHR VERWENDEN UND DASS DAS RISIKO IN BEZUG AUF ZUFRIEDENSTELLENDEN QUALITÄT, LEISTUNG UND GENAUIGKEIT VOLLSTÄNDIG BEI IHNEN LIEGT. DAS GERÄT UND ALLE INHALTE UND DIENSTE DRITTER WERDEN „OHNE GARANTIE“ – AUSDRÜCKLICH ODER STILLSCHWEIGEND – ANGEBOTEN. TCL LEHNT AUSDRÜCKLICH ALLE GARANTIE UND AUFLAGEN, AUSDRÜCKLICH ODER STILLSCHWEIGEND, IN BEZUG AUF DAS GERÄT UND ALLE INHALTE UND DIENSTE AB, EINSCHLIESSLICH, JEDOCH NICHT AUSSCHLIESSLICH DER ZUSICHERUNG ALLGEMEINER GEBRAUCHSTAUGLICHKEIT, ZUFRIEDENSTELLENDER QUALITÄT, DER EIGNUNG FÜR EINEN BESTIMMTEN ZWECK, VON GENAUIGKEIT, GUTER UNTERHALTUNG, UND DER ZUSICHERUNG, DASS KEINE RECHTE DRITTER VERLETZT WERDEN. TCL GARANTIERT NICHT DIE GENAUIGKEIT, GÜLTIGKEIT, PÜNKTLICHKEIT, RECHTMÄSSIGKEIT ODER VOLLSTÄNDIGKEIT VON INHALTEN ODER DIENSTEN, DIE ÜBER DIESES GERÄT ANGEBOTEN WERDEN, UND GARANTIERT NICHT, DASS DAS GERÄT, DIE INHALTE ODER DIENSTE IHREN ANFORDERUNGEN ENTSPRECHEN ODER DASS DER BETRIEB DES GERÄTS ODER DIE DIENSTE UNUNTERBROCHEN UND FEHLERFREI SIND. UNTER KEINEN UMSTÄNDEN, AUCH NICHT BEI FAHRLÄSSIGKEIT, HAFTET TCL WEDER VERTRAGLICH NOCH GESETZLICH FÜR DIREKTE, INDIREKTE, BESONDERE ODER FOLGESCHÄDEN, FÜR ANWALTSKOSTEN ODER AUSGABEN, ODER FÜR ANDERE SCHÄDEN AUFGRUND VON ODER IN VERBINDUNG MIT ENTHALTENEN INFORMATIONEN, DER ANWENDUNG DIESES GERÄTS, ODER DER VON IHNEN ODER DRITTEN IN ANSPRUCH GENOMMENEN INHALTE UND DIENSTE, AUCH WENN SIE AUF DIE MÖGLICHKEIT SOLCHER SCHÄDEN HINGEWIESEN WURDEN.

Dienste Dritter können jederzeit und ohne Vorankündigung geändert, aufgehoben, entfernt, beendet, unterbrochen oder deren Zugang kann deaktiviert werden. TCL übernimmt keine Vertretung oder Garantie dafür, dass Inhalte oder Dienste für einen bestimmten Zeitraum zur Verfügung stehen. Inhalte und Dienste werden von Dritten über Netzwerke und Übertragungsstationen übertragen, die außerhalb des Kontrollbereichs von TCL liegen. Unbeschadet der Allgemeingültigkeit dieses Haftungsausschlusses lehnt TCL ausdrücklich jede Verantwortung oder Haftung für Änderungen, Störungen, Deaktivierung, Entfernung oder Aufhebung von Inhalten oder Diensten, die über dieses Gerät angeboten werden, ab. TCL kann jederzeit und ohne Ankündigung oder Haftung Einschränkungen für die Nutzung von oder für den Zugang zu bestimmten Diensten

oder Inhalten auferlegen. TCL kann für Kundendienste in Bezug auf die Inhalte und Dienste weder verantwortlich noch haftbar gemacht werden. Fragen oder Anfragen in Bezug auf die Inhalte und Dienste müssen direkt an die jeweiligen Anbieter der Inhalte und Dienste gestellt werden.

Geräteaktualisierung

In der Regel sind manche Geräte vierteljährlich zu aktualisieren, jedoch nicht immer so spezifisch. Manche Geräte, insbesondere diejenigen, die vor mehr als drei Jahren auf den Markt kamen, werden nur aktualisiert, wenn ein kritisches Sicherheitsproblem gefunden und festgelegt wird.

Informationen zur Entsorgung von Altgeräten und Batterien

[Europäische Union]



Produkte



Pb
Batterie

Anmerkung:

Das Zeichen Pb unter dem Symbol für Batterien weist darauf hin, dass diese Batterie Blei enthält.

Diese Symbole weisen darauf hin, dass elektrische und elektronische Geräte und Batterien, die diese Symbole tragen, am Ende ihrer Nutzungsdauer nicht über den normalen Haushaltsmüll entsorgt werden dürfen. Stattdessen sind die Produkte an einer entsprechenden Sammelstelle für das Recycling elektrischer und elektronischer Geräte sowie von Batterien abzugeben, um eine ordnungsgemäße Behandlung, Wiederverwendung und Verwertung gemäß nationalen Gesetzen und der Richtlinien 2012/19/EU, 2006/66/EC und 2008/12/EC zu gewährleisten.

Durch die ordnungsgemäße Entsorgung dieser Produkte tragen Sie dazu bei, natürliche Rohstoffe zu schonen und negative Auswirkungen auf die Umwelt und Gesundheit abzuwenden, die anderenfalls durch die unsachgemäße Müllabfertigung dieser Geräte entstehen würden.

Weitere Informationen über Sammelstellen und das Recycling erhalten Sie von Ihrer Behörde vor Ort, Ihrem Abfallbeseitigungsunternehmen oder Ihrem Einzelhändler.

Je nach nationaler Gesetzgebung ist die unsachgemäße Entsorgung möglicherweise strafbar.

[Firmen]

Wenn Sie dieses Gerät entsorgen möchten, wenden Sie sich bitte an Ihren Lieferanten, und prüfen Sie die Verkaufs- und Lieferbedingungen im Kaufvertrag.

[Länder außerhalb der Europäischen Union]

Diese Symbole gelten nur innerhalb der Europäischen Union. Beachten Sie bei der Entsorgung dieses Geräts die nationale Gesetzgebung oder andere Richtlinien in Ihrem Land für die Beseitigung von elektrischen Altgeräten und Batterien.

Amazon, Fire sowie alle zugehörigen Marken sind Marken der Amazon.com, Inc. oder deren verbundenen Unternehmen. Dieser Fernseher ist ein Produkt der TCL. Die TCL ist kein mit Amazon oder Amazon.com, Inc. verbundenes Unternehmen. Sie müssen mit einem Amazon-Konto angemeldet sein, um Online-Dienste nutzen zu können.

Sehr geehrte Kunden!

TCL erklärt hiermit, dass dieses Gerät der Richtlinie 2014/53/EU entspricht. Die vollständige Version der EU-Konformitätserklärung ist erhältlich unter folgender Internet-Adresse: www.tcl.com

TCL Operations Polska Sp. z o.o.
ul. A. Mickiewicza 31/41
96-300 Żyrardów, Poland

E-Mail-Adresse: zyeee@tcl.com

Zahlen und Abbildungen in dieser Bedienungsanleitung dienen nur zu Referenzzwecken und können vom tatsächlichen Erscheinungsbild des Produkts abweichen. Änderungen am Design und an den Spezifikationen des Produkts ohne vorherige Ankündigung vorbehalten.




Sicurezza

Assicurarsi che la tensione della rete elettrica domestica sia compatibile con quella indicata sulla targhetta situata sul retro dell'apparecchio. Ogni qualvolta spine di alimentazione, prese CA o connettori per elettrodomestici sono utilizzati come dispositivi di scollegamento, i suddetti dovranno essere sempre facilmente accessibili.

In alcuni modelli, l'indicatore luminoso è posizionato sul lato del televisore. L'assenza d'indicazione luminosa sul fronte del televisore non significa che questo sia completamente scollegato dall'alimentazione. Per fare ciò, è necessario staccare la spina di alimentazione.

I componenti del televisore sono sensibili al calore. La **temperatura ambiente massima** non deve superare **35°C**. Non ostruire le aperture di ventilazione situate sul retro o ai lati dell'apparecchio. Lasciare uno spazio sufficiente intorno al televisore per consentire la corretta ventilazione. Posizionare l'apparecchio lontano da fonti di calore (ad es. camini, ecc.) o da dispositivi che generano forti campi elettrici o magnetici.

L'**umidità relativa** nei locali in cui viene collocato l'apparecchio non deve superare l'**75%**. Se si sposta il televisore da un ambiente freddo a uno caldo, si può formare della condensa sullo schermo (e su alcuni componenti interni del televisore). Lasciare evaporare completamente la condensa prima di accendere il televisore.

Il pulsante  o **POWER**/ del televisore o il pulsante  sul telecomando può essere utilizzato per accenderlo e metterlo in modalità standby. **Se il televisore non viene utilizzato per un lungo periodo di tempo**, spegnerlo completamente scollegando la spina dalla presa di alimentazione.

In caso di **temporale**, si consiglia di scollegare il televisore dalla rete elettrica e dall'antenna per evitare scariche elettriche o elettromagnetiche che potrebbero danneggiarlo. Accertarsi pertanto che la **presa elettrica e la presa dell'antenna** siano facilmente accessibili in modo da poterle **disinserire agevolmente** in caso di necessità.

Scollegare il televisore immediatamente se si nota che emette un **odore di bruciato o fumo**. Non aprire in nessun caso il televisore, per evitare il rischio di **scariche elettriche**.

AVVERTENZE

Questo apparecchio è progettato solo per l'uso domestico e non dovrebbe essere usato per altre applicazioni, come uso non domestico o in un ambiente commerciale.

Se il cavo o il filo flessibile esterno di questo prodotto è danneggiato, deve essere sostituito dal costruttore o dal suo servizio di assistenza o da personale qualificato al fine di evitare un pericolo.

Lasciare più di 10 cm di spazio attorno al televisore per permettere una ventilazione adeguata. La ventilazione non dev'essere impedita coprendo le aperture di ventilazione con oggetti come giornali, tovaglie, tende, etc.

L'apparecchio non dev'essere esposto a sgocciolii o a cadute d'acqua e nessun oggetto riempito con acqua, come un vaso, deve essere posto sopra di esso.

Non esporre le batterie (gruppi batteria o batterie installate) a calore eccessivo, ad esempio raggi diretti del sole, fiamme libere, ecc.

Per ridurre il rischio di incendi o scosse elettriche, non esporre il dispositivo alla pioggia o all'umidità.

Un televisore potrebbe cadere dal suo posto, causando gravi lesioni alle vittime o addirittura la morte. Molte lesioni, in particolare ai bambini, possono essere evitate adottando semplici precauzioni quali:

- Utilizza **SEMPRE** armadi o supporti o metodi di montaggio raccomandati dal produttore del televisore.
- Utilizza **SEMPRE** mobili che possano supportare il televisore in maniera sicura.
- Assicurati **SEMPRE** che il televisore non sia in bilico sul mobile di supporto.
- Educa **SEMPRE** i bambini sui pericoli derivanti dal salire sui mobili per raggiungere il televisore o il suo telecomando.
- Instrada **SEMPRE** i cavi e fili collegati al televisore in modo che non possano essere calpestati, tirati o afferrati.
- **NON** collocare **MAI** un televisore in un posto in bilico.
- **NON** posizionare **MAI** il televisore su mobili alti (ad esempio, armadietto o librerie) senza fissare il mobile e il televisore a un supporto adeguato.
- **NON** collocare **MAI** il televisore su tessuti o altri materiali che vengono posizionati tra il televisore e il mobile di supporto.
- **NON** collocare **MAI** oggetti che potrebbero attrarre i bambini per salire sul mobile, come giocattoli e telecomandi, sulla parte superiore del televisore o sul mobile su cui è posizionato il televisore.

Se il televisore precedente rimane o deve essere trasferito in un'altra posizione, le stesse precauzioni di cui sopra menzionate devono essere applicate.

Il simbolo qui accanto indica che questo è un dispositivo elettrico di classe II o con doppio isolamento. È stato progettato in modo che non richieda una connessione di sicurezza con messa a terra. Se il simbolo non è presente, il dispositivo elettrico appartiene alla classe I e deve essere collegato a una presa di alimentazione con una connessione dotata messa a terra.



Candele e altre fiamme libere vanno sempre tenute lontane da questo prodotto, per evitare la propagazione di incendi.



Questo simbolo indica che all'interno è presente alta tensione. Qualsiasi tipo di contatto con qualsiasi parte interna di questo prodotto è pericoloso.



Questo simbolo indica che il fusibile può trovarsi in un punto neutro e l'alimentazione deve essere scollegata per diseccitare i conduttori di fase.

Per evitare infortuni, quest'apparecchio dev'essere saldamente fissato su un piano/ad un muro secondo le istruzioni di installazione.

Per ridurre il rischio di esposizione alle radiofrequenze, la distanza tra l'utente e l'apparecchio deve essere di almeno 100 cm.

Se un'antenna esterna o un sistema via cavo sono collegati al prodotto, assicurarsi che l'antenna o il sistema via cavo sia messo a terra da una persona qualificata in modo da fornire protezione contro scariche di tensione e formazione di cariche

elettrostatiche.

Schermo TV

Lo schermo TV del prodotto è in vetro e, pertanto, potrebbe rompersi in caso di caduta o urto con altri oggetti.

Lo schermo TV è un prodotto ad alta tecnologia, che garantisce immagini finemente dettagliate. Di tanto in tanto, è possibile che vi siano alcuni pixel inattivi presenti sullo schermo sotto forma di punti fissi di colore blu, verde o rosso. Ciò non ha ripercussioni sulla resa del prodotto.

Manutenzione

Usare un prodotto per la pulizia dei vetri per detergere lo schermo e un panno morbido e un detergente neutro per il resto dell'apparecchio.

Importante: Detergenti aggressivi e prodotti abrasivi o a base di alcool possono danneggiare lo schermo.

Pulire regolarmente le aperture di ventilazione sul retro e ai lati dell'apparecchio. Solventi, prodotti abrasivi o a base di alcool possono danneggiare il televisore. Se un oggetto o un liquido penetra all'interno del televisore, scollegare immediatamente quest'ultimo e farlo revisionare da un tecnico autorizzato. Non aprire l'apparecchio per evitare il rischio di lesioni alle persone o di danni al televisore.

Normativa in materia di scariche elettrostatiche (ESD)

Questo apparecchio soddisfa i criteri di sicurezza in materia di scariche elettrostatiche (ESD). Se scariche elettrostatiche impediscono il ripristino dell'apparecchio in modalità di connessione Ethernet o la modalità di riproduzione USB, l'utente dovrà intervenire e rimuovere le interferenze.

Funzionalità Bluetooth

La tecnologia Bluetooth® (se disponibile per il televisore acquistato) utilizza la frequenza di 2,4 GHz e pertanto punti di accesso Wi-Fi, router o forni a microonde troppo vicini all'apparecchio potrebbero interferire con lo streaming audio Bluetooth. Qualora si verificano interruzioni della ricezione audio, riavviare il dispositivo Bluetooth per trovare una frequenza con meno interferenze. Se il problema persiste, avvicinare il dispositivo al televisore oppure aumentare la distanza tra quest'ultimo e la fonte delle interferenze.

ID dichiarazione Bluetooth: D058931

Montaggio a parete

Avvertenze: Questa operazione richiede almeno due persone, a seconda delle dimensioni del televisore.

Per garantire un montaggio sicuro, osservare le seguenti istruzioni di sicurezza:

- Accertarsi che la parete sia in grado di sostenere il peso del televisore e del supporto a parete.
- Seguire le istruzioni di montaggio fornite con il supporto a muro. Per alcuni modelli, assicurarsi di avvitare i mozzetti esagonali (e le viti) dei supporti a parete VESA forniti con l'apparecchio nei dadi per il supporto sul retro dell'apparecchio, prima di effettuare il montaggio a parete.
- Il televisore deve essere installato su una parete verticale.
- Usare solo viti idonee per il materiale di cui è composta la parete.

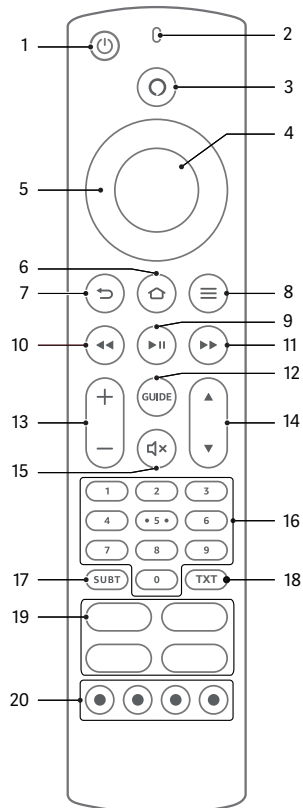
- Accertarsi che i cavi del televisore non ostruiscano il passaggio.

Tutte le altre istruzioni di sicurezza relative all'uso del televisore rimangono valide.

Manuale d'uso multi prodotto

Le caratteristiche descritte in questo manuale sono comuni a più modelli. Alcune caratteristiche potrebbero non essere disponibili sul vostro televisore e/o il vostro televisore potrebbe includere caratteristiche che non sono descritte in questo manuale. Le illustrazioni in questo manuale potrebbero differire dal prodotto effettivo. Fare riferimento al prodotto effettivo.

Pulsanti del telecomando



1. Standby: standby / acceso.
2. Microfono: parlare nel microfono quando si usa Alexa e per la ricerca vocale.
3. Ricerca vocale: consente di avviare il microfono sul telecomando.
4. Conferma scelta: consente di confermare le selezioni e di accedere al so onenu.
5. Tasti di navigazione: consentono di spostarsi su/giù e a sinistra/destra nei contenuti. (navigare nei menu, nelle opzioni di configurazione, spostare il cursore, selezionare le icone, ecc. Seguire le istruzioni sullo schermo)
6. Home: apre la schermata Home. Tenere premuto per visualizzare il menu delle impostazioni rapide.
7. Indietro/Ritorna: consente di tornare alla schermata precedente, al menu precedente, chiudere le finestre aperte, tornare alla schermata principale o alla scheda Home.
8. Opzioni: consente di visualizzare le opzioni di configurazione. (se disponibili)
9. Pausa/Riproduci: consente di mettere in pausa/riprodurre il contenuto multimediale selezionato.
10. Indietro: consente di andare indietro nei video, ad esempio un film, e di scorrere indietro di un giorno nella guida dei canali.
11. Avanti: consente di andare avanti nei video, ad esempio un film, e di scorrere avanti di un giorno nella guida dei canali.
12. Guida: consente di visualizzare la guida dei canali.
13. Volume +/- : consente di aumentare/diminuire il livello del volume.
14. Programma +/-: consente di passare da un canale all'altro in modalità Live TV.
15. Silenzioso: consente di disattivare il volume della TV.
16. Tasti numerici: consentono di passare da un canale all'altro in modalità Live TV e di impostare un numero o una lista di canali nella casella di testo sullo schermo.
17. Sottotitoli: consente di visualizzare le opzioni audio e sottotitoli, in cui è possibile modificare la lingua, le dimensioni del testo e lo stile preferito. (se disponibile)
18. TXT: consente di aprire e chiudere il televideo. (se disponibile in modalità Live TV)
19. Scorciatoia canale in primo piano: ti consente di accedere direttamente ai canali in primo piano.
- Nota: le app sono soggette al telecomando effettivo.
20. Pulsanti colorati: seguire le istruzioni visualizzate sullo schermo per le funzioni dei pulsanti colorati.

* Per associare il telecomando alla TV

Quando la TV viene accesa per la prima volta, durante la configurazione iniziale verrà eseguito il processo di associazione del telecomando. Il telecomando dovrebbe associarsi automaticamente alla TV ma in caso contrario, seguire le istruzioni visualizzate sullo schermo per associarlo. In caso di difficoltà nell'associazione del telecomando alla TV, è consigliato spegnere gli altri dispositivi wireless e riprovare.

Informazioni sulle emissioni radio

- Gamma di frequenza della trasmissione Bluetooth®: 2402–2480 MHz
 - Potenza di trasmissione Bluetooth® : <10dBm
 - Gamma di frequenza della trasmissione Wi-Fi 2.4G: 2412–2472 MHz
 - Potenza di trasmissione Wi-Fi 2.4G: <20dBm
 - Gamma di frequenza della trasmissione Wi-Fi 5G:
 - Banda 1: 5150–5250MHz (<20dBm)
 - Banda 2: 5250–5350MHz (<20dBm)
 - Banda 3: 5470–5725MHz (<20dBm)
 - Banda 4: 5725–5850MHz (<14dBm)
 - Gamma di frequenza del sintonizzatore DVB-C: 50–862MHz
 - Gamma di frequenza del sintonizzatore DVB-T/T2: 470–862MHz
 - Gamma di frequenza del sintonizzatore DVB-S/S2: 950–2150 MHz
- * In tutti gli stati membri dell'UE, l'uso delle frequenze 5150–5350 MHz è ristretto all'uso in ambienti interni.

	BE	BG	CZ	DK	DE	EE	IE
	EL	ES	FR	HR	IT	CY	LV
	LT	LU	HU	MT	NL	AT	PL
	PT	RO	SI	SK	FI	SE	UK(NI)

Avviso OSS

Il presente prodotto utilizza GPL (versione 2 e 3) e LGPL (versione 2.1) e MPL (versione 1.1).

Per richieste di informazioni e domande riguardanti open source, contattare la sede TCL più vicina.

Questo prodotto utilizza alcuni programmi software che sono distribuiti su licenza dell'Independent JPEG Group.

Questo prodotto utilizza alcuni programmi software che sono distribuiti su licenza dello libpng Project.

Questo prodotto utilizza alcuni programmi software che sono distribuiti su licenza del Freetype Project.

Questo prodotto utilizza alcuni programmi software che sono distribuiti su licenza dello zlib Project.

Questo prodotto utilizza alcuni programmi software (libxml2, curl, expat, c-areas) che sono distribuiti su licenza del MIT.

Questo prodotto utilizza CyberLink for C che è distribuito su licenza dell'Open Source Project.

Questo prodotto utilizza openssl, xerces che è distribuito su licenza dell'Apache License Project.

Software GPL: Linux Kernel, glib, libiconv, gcc libgcc, gcc libstdc++, u-Boot loader, ffmpeg, util-linux-ng, e2fsprogs, wget, iptables

Software LGPL: DFB (DirectFB), gstreamer, gst-plugins-base, gst-plugins-good, gst-plugins-bad, gst-plugins-ugly, gst-ffmpeg, glibc, wpa_supplicant

Software BSD: wepb, mng, uriparser

Software GNU: dosfstools

[Dichiarazione legale] di TCL - costruttore di questo televisore

Viste le diverse funzionalità dei prodotti con servizi Smart TV, così come le limitazioni nel contenuto disponibile, alcune caratteristiche, applicazioni e servizi potrebbero non essere disponibili su tutti i dispositivi in tutti i territori. Alcune caratteristiche su Smart TV possono anche richiedere dispositivi periferici addizionali o abbonamenti che vengono venduti separatamente. Visitare il nostro sito web per maggiori informazioni su dispositivi specifici e sulla disponibilità di contenuti. I servizi e la disponibilità di contenuti attraverso la Smart TV sono soggetti a modifiche periodiche senza preavviso.

Tutti i contenuti e servizi accessibili attraverso questo dispositivo appartengono a terze parti e sono protetti da diritti, brevetti marchi e/o altre leggi sulla proprietà intellettuale. Tali contenuti e servizi sono forniti solamente per l'uso non commerciale. Non è consentito utilizzare contenuti o servizi in modi non autorizzati dai relativi proprietari o fornitori del servizio. Senza limitazione in quanto segue, se non espressamente autorizzato dal proprietario del contenuto o fornitore del servizio, non è possibile modificare, copiare, ripubblicare, caricare in rete, postare, trasmettere, tradurre, vendere, utilizzare per la creazione di altri lavori, divulgare o distribuire in nessun modo o mezzo nessun contenuto o servizio visualizzato attraverso questo dispositivo.

SI PRENDE ESPRESSAMENTE ATTO E SI ACCETTA CHE L'USO DI QUESTO DISPOSITIVO È A PROPRIO RISCHIO E CHE IL RISCHIO RIGUARDANTE QUALITÀ, PRESTAZIONI E PRECISIONE SODDISFACENTI RICADE TOTALMENTE SULL'UTENTE. IL DISPOSITIVO E I CONTENUTI E I SERVIZI DI TERZE PARTI SONO FORNITI "COME SONO" SENZA GARANZIA ALCUNA, NÉ ESPRESSA NÉ IMPLICITA. TCL ESCLUDE ESPRESSAMENTE OGNI GARANZIA E OBBLIGAZIONE ESPRESSA O IMPLICITA RELATIVAMENTE AL DISPOSITIVO E A QUALSIASI CONTENUTO O SERVIZIO, INCLUSE, A TITOLI ESEMPLIFICATIVO, GARANZIE DI COMMERCIALIZZABILITÀ, DI QUALITÀ SODDISFACENTE, DI IDONEITÀ DEL PRODOTTO A SODDISFARE UNO SCOPO SPECIFICO, DI PRECISIONE, DI INTRATTENIMENTO TRANQUILLO O DI NON VIOLAZIONE DEI DIRITTI DI TERZI. TCL NON GARANTISCE LA PRECISIONE, LA VALIDITÀ, L'ATTUALITÀ, LA LEGALITÀ O LA COMPLETEZZA DI NESSUN CONTENUTO O SERVIZIO RESO DISPONIBILE ATTRAVERSO QUESTO DISPOSITIVO E NON GARANTISCE CHE IL DISPOSITIVO, I CONTENUTI O I SERVIZI SODDISFINO LE ESIGENZE DELL'UTENTE O CHE IL FUNZIONAMENTO DEL DISPOSITIVO O DEI SERVIZI SIA ININTERROTTO O ESENTE DA ERRORI. IN NESSUNA CIRCOSTANZA, NEPPURE PER NEGLIGENZA, TCL SARÀ RESPONSABILE, IN RAGIONE O TORTO, PER QUALSIASI DANNO DIRETTO, INDIRETTO, ACCIDENTALE, PARTICOLARE O CONSEGUENTE, SPESE LEGALI, SPESE, O ALTRI DANNI CHE EMERGANO O SIANO IN CONNESSIONE CON INFORMAZIONI CONTENUTE O COME RISULTATO DELL'USO DEL DISPOSITIVO, O QUALSIASI CONTENUTO O SERVIZIO A CUI SI ACCEDE, ANCHE SE LA POSSIBILITÀ DI TALI DANNI ERA STATA COMUNICATA.

Servizi di terze parti possono essere modificati, sospesi, rimossi, conclusi o interrotti, o l'accesso può essere disabilitato in qualsiasi momento, senza preavviso, e TCL non rilascia alcuna

dichiarazione o garanzia che qualsiasi contenuto o servizio rimarrà a disposizione per qualsiasi periodo di tempo. Contenuto e servizi sono trasmessi da terze parti per mezzo di reti e dispositivi di trasmissioni che non sono al di fuori del controllo di TCL. Senza limitare il carattere generale della presente esclusione di responsabilità, TCL declina espressamente ogni responsabilità per qualsiasi cambiamento, interruzione, disattivazione, rimozione, o sospensione di qualsiasi contenuto o servizio reso disponibile attraverso questo dispositivo. TCL può imporre limiti all'uso o all'accesso di certi servizi o contenuti, in ogni caso e senza preavviso né responsabilità. TCL non è neppure responsabile per il servizio clienti relativo al contenuto o ai servizi. Ogni domanda o richiesta in merito ad assistenza relativa a contenuti o servizi dovrà essere inoltrata direttamente al rispettivo fornitore di contenuti e servizi.

Aggiornamento del dispositivo

In genere, alcuni dispositivi vengono aggiornati ogni tre mesi, tranne i dispositivi che sono stati messi in vendita più di tre anni fa. In questo caso, il dispositivo verrà aggiornato solo se viene rilevato poi risolto un problema o guasto grave.

Informazioni per gli utenti sullo smaltimento dei vecchi apparecchi e delle batterie

[Unione Europea]



Prodotti



Pb
Batteria

Nota:

Il simbolo Pb sotto l'icona delle batterie indica che questa batteria contiene piombo.

Questi simboli indicano che le apparecchiature elettriche ed elettroniche e le batterie non devono essere smaltite insieme ai rifiuti domestici alla fine della loro vita utile. Suddetti prodotti devono essere consegnati negli appositi centri di raccolta per il riciclaggio a norma di legge degli apparecchi elettrici ed elettronici, così come per il trattamento, recupero e riciclaggio delle batterie, nel rispetto della legislazione nazionale e delle direttive 2012/19/EU, 2006/66/EC e 2008/12/EC.

Lo smaltimento corretto di questi prodotti contribuirà a conservare le risorse naturali e a prevenire potenziali effetti negativi sull'ambiente e sulla salute umana che potrebbero altrimenti essere causati dalla gestione inappropriata di questi prodotti come rifiuti domestici.

Per maggiori informazioni sui punti di raccolta e sul riciclaggio di questi prodotti, contattare l'ufficio comunale competente, l'azienda locale di smaltimento dei rifiuti o il negozio presso il quale il prodotto è stato acquistato.

In conformità con le leggi nazionali, potrebbero essere applicabili multe per lo smaltimento scorretto di questo tipo di rifiuti.

[Utenti business]

Se si desidera smaltire questo prodotto, contattare il proprio fornitore e controllare i termini e le condizioni del contratto di acquisto.

[Altre nazioni non facenti parte dell'Unione Europea]

Questi simboli sono validi solo nell'Unione Europea. Se si desidera smaltire questi oggetti, farlo in conformità con le leggi nazionali applicabili o con altre normative in vigore nel proprio paese per la gestione dei vecchi apparecchi elettrici e delle batterie.

Amazon, Fire, e tutti i relativi marchi sono di titolarità di Amazon.com, Inc. o sue società affiliate.

Questo televisore è un prodotto di TCL. TCL non è affiliato con Amazon.com, Inc. o con qualsiasi affiliato Amazon.

Devi essere registrato a un account Amazon per utilizzare i servizi online.

Gentile cliente,

Con la presente, TCL dichiara che questo dispositivo è conforme alla Direttiva 2014/53/EU. Il testo completo della dichiarazione di conformità UE è disponibile al seguente indirizzo Internet: www.tcl.com

TCL Operations Polska Sp. z o.o.
ul. A. Mickiewicza 31/41
96-300 Żyrardów, Poland

Indirizzo email: zyeee@tcl.com

Figure e illustrazioni in questo Manuale dell'utente sono fornite solo come riferimento e possono differire dall'effettivo aspetto del prodotto. Il design e le specifiche del prodotto possono essere modificati senza preavviso.




Seguridad

Asegúrese de que el voltaje de la red de suministro eléctrico se corresponde con el voltaje indicado en la pegatina de identificación situada en la parte posterior de la unidad. Cuando se utiliza el enchufe de alimentación, la entrada de CA o un acoplador del equipo como dispositivo de desconexión, éste debe quedar fácilmente accesible.

En ciertos modelos, el indicador luminoso está situado en un lateral del televisor. La ausencia de una indicación luminosa en la parte frontal, no indica que el televisor esté totalmente desconectado de la corriente. Para desconectar el televisor completamente, debe desenchufarse de la toma de corriente.

Los componentes del televisor son sensibles al calor. La **temperatura ambiente máxima** no debe exceder de **35°C**. No cubra la rejilla de ventilación situada en la parte posterior o en los laterales del televisor. Deje espacio suficiente a su alrededor para permitir una ventilación adecuada. Instale el electrodoméstico alejado de cualquier fuente de calor (chimeneas) o de otros electrodomésticos que creen fuertes campos magnéticos o eléctricos.

La humedad en las habitaciones donde se instale el televisor no debe exceder del **75%**. El traslado del televisor de un lugar fresco a otro cálido puede provocar condensación en la pantalla (y en algunos componentes interiores del televisor). Deje que se evapore la condensación antes de volver a encender el televisor.

El botón  o **POWER**/ del televisor, o el botón  del mando a distancia, se pueden usar para encenderlo o ponerlo en modo en espera (standby). Si no va a ver el televisor **durante un periodo prolongado de tiempo**, apáguelo completamente retirando el enchufe de la toma de corriente.

Durante **tormentas eléctricas**, recomendamos que desconecte el televisor de la red eléctrica y de la antena, de tal forma que no se vea afectado por sobrecargas eléctricas o electromagnéticas que pudieran dañarlo. Por este motivo, mantenga las **tomas de corriente y de la antena** accesibles para que se puedan **desconectar** si fuera necesario.

Desconecte inmediatamente el televisor si percibe que desprende un olor a **humo** o a **quemado**. No debe nunca, bajo ninguna circunstancia, abrir el televisor, ya que corre el riesgo de recibir una **descarga eléctrica** al hacerlo.

ADVERTENCIAS

Este aparato está diseñado sólo para uso doméstico y no debería ser utilizado para cualquier otra aplicación, tales como uso no-doméstico o utilización comercial.

Si se daña el cable externo flexible de este producto, deberá ser sustituido por el fabricante, su agente de reparaciones, o una persona de similar cualificación, para evitar peligros.

Deje más de 10cm de separación alrededor del televisor para permitir una ventilación adecuada. No debería impedir la ventilación tapando las aberturas de ventilación con objetos como periódicos, manteles, cortinas, etc.

El aparato no deberá exponerse a goteros ni salpicaduras y no se colocarán objetos llenos de líquido, como floreros, sobre él.

Las baterías (el pack de baterías o las baterías instaladas) no deben exponerse a un calor excesivo, como la luz solar, fuego o similares.

Para reducir el riesgo de incendio o descarga eléctrica, no exponga este aparato a la lluvia ni a la humedad.

Es posible caer el televisor, causando lesiones personales graves incluso muerte. Muchas lesiones, especialmente las lesiones a niños, pueden ser evitadas por tomar las precauciones simples como lo siguiente:

- SIEMPRE utilice gabinetes, soportes o métodos de montaje recomendados por el fabricante del televisor.
- SIEMPRE utilice los muebles que pueden soportar firmemente el televisor.
- SIEMPRE asegúrese de que el televisor no está sobresaliendo del borde del mueble de soporte.
- SIEMPRE edúque a los niños sobre los peligros de subir al mueble para alcanzar el televisor o sus controles.
- SIEMPRE arregle los alambres y cables que están conectados al televisor, evitando que estén tropezados, tirados y agarrados.
- NUNCA coloque el televisor sobre una ubicación inestable.
- NUNCA coloque el televisor sobre un mueble alto (por ejemplo, armario o estantería) sin anclar el mueble y el televisor con un soporte firme.
- NUNCA coloque el televisor sobre tela u otros materiales que pueden ser ubicados entre el televisor y el mueble de soporte.
- NUNCA coloque artículos que pueden intentar tocarlos los niños por encima de la parte superior del televisor o mueble donde coloca el televisor, tales como juguetes, controles remotos, etc.

Si el televisor existente está retenido o reubicado, también se debe aplicar las mismas consideraciones anteriormente mencionadas.



Los equipos con este símbolo son de Clase II o con doble aislamiento eléctrico. Ha sido diseñado de forma que no requiera una conexión eléctrica de seguridad a tierra. Los equipos sin este símbolo son aparatos eléctricos de Clase I. Éstos deberán conectarse a una toma de corriente eléctrica que tenga una conexión se seguridad a tierra.



Para evitar la propagación de un incendio, mantenga siempre el producto alejado de velas u otras llamas abiertas.



Este símbolo indica la presencia de alto voltaje en el interior. El contacto con cualquier componente interno del producto es peligroso.



Este símbolo indica que el fusible puede ir en el neutro y que se debe desconectar la red eléctrica para dejar sin energía los conductores de fase.

Para evitar lesiones, este aparato debe estar correctamente colocado sobre el suelo/firme en la pared, de acuerdo con las instrucciones de instalación.

Para reducir el riesgo a la exposición de RF, hay que mantener una distancia de al menos 100 cm con el aparato en funcionamiento.

Si hay una antena exterior o un sistema de cables conectado al producto, asegúrese de que una persona cualificada conecte la antena o el sistema de cables a tierra como protección contra picos de tensión y la acumulación de cargas estáticas.

Pantalla TV

La pantalla TV usada en este producto es de cristal. Por tanto, puede romperse si el producto se cae o recibe un impacto.

La pantalla TV es un producto de muy alta tecnología, que ofrece imágenes muy detalladas. Ocasionalmente, pueden aparecer píxeles inactivos en la pantalla como puntos fijos azules, verdes o rojos. Esto no afecta al funcionamiento del producto.

Cuidados

Use un limpiacristales para limpiar la pantalla y un paño suave con un detergente neutro para limpiar el resto del televisor.

Importante: El uso de detergentes fuertes, productos que contengan alcohol o abrasivos puede dañar la pantalla.

Limpie el polvo de las rejillas de ventilación situadas en la parte posterior y los laterales de forma regular. El uso de disolventes, productos abrasivos o que contengan alcohol puede dañar el televisor. En caso de que un objeto o un líquido entre en el interior del televisor, desconéctelo inmediatamente y haga que lo examine un técnico autorizado. No abra nunca el televisor, ya que esto le puede poner en riesgo o puede dañar el aparato.

Normativa sobre Descargas Electroestáticas (ESD, por sus siglas en inglés)

Este aparato cumple los requisitos de funcionamiento ESD. Si el aparato no recupera el modo de conexión Ethernet o el modo de reproducción USB debido a una descarga electrostática, será necesaria una intervención del usuario.

Aviso sobre la función Bluetooth

La tecnología Bluetooth® (en el caso de que su TV la tenga) usa una frecuencia de 2,4 GHz muy próxima a la de los puntos de acceso Wi-Fi, routers u hornos microondas, que podrían causar interferencias en la transmisión de audio por Bluetooth. Si encuentra interrupciones en la recepción de audio, deberá reiniciar su dispositivo Bluetooth para encontrar una frecuencia con menos interferencias, y si continúa con los mismos problemas deberá acercarse al dispositivo al TV o separar el TV de las fuentes de interferencia.

Declaración ID Bluetooth: D058931

Colgar el televisor en la pared

Advertencia: Esta operación requiere al menos dos personas dependiendo de la dimensión de su televisor.

Para garantizar una instalación segura, observe las siguientes notas de seguridad:

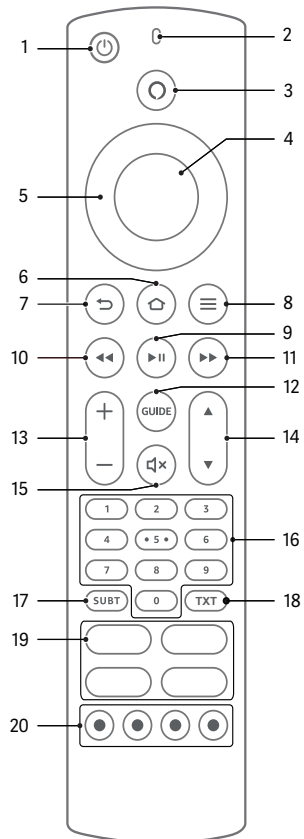
- Compruebe que la pared pueda soportar el peso del televisor y del soporte de la pared.
- Siga las instrucciones de montaje que se adjuntan con el soporte de pared. Para algunos modelos, asegúrese de atornillar las bases de refuerzo para tornillos hexagonales de montaje en pared VESA (y los tornillos), incluidos con el equipo, a las tuercas para montaje en pared, en la parte posterior de su equipo antes de su montaje en la pared.
- El televisor debe instalarse en una pared vertical.
- Asegúrese de emplear únicamente tornillos adecuados para el material del que está construida la pared.
- Asegúrese de que los cables del televisor están colocados de manera que no haya riesgo de tropezar con ellos.

Todas las instrucciones de seguridad sobre televisores son de aplicación aquí.

Manual de usuario multiproducto

Las funciones que se describen en este manual son comunes para la mayoría de los modelos. Algunas funciones pueden no estar disponibles en su TV, y/o su TV puede incluir algunas funciones no descritas en este manual. Las ilustraciones en este manual pueden ser diferentes del producto real. Por favor, vea el producto real.

Botones de mando a distancia



1. En espera: modo en espera/encendido.
 2. Orificio del micrófono: habla al micrófono al utilizar Alexa, incluida la búsqueda por voz.
 3. Botón de voz: activa el micrófono del mando a distancia.
 4. Seleccionar: confirma las selecciones y accede a submenús.
 5. Dirección: navega hacia arriba/abajo o hacia la izquierda/derecha por el contenido. (Navega por los menús y las opciones, mueve la selección o el cursor, etc. Sigue las instrucciones que aparecen en pantalla)
 6. Inicio: abre la pantalla de inicio; mantén pulsado para abrir el menú de ajustes rápidos.
 7. Atrás/volver: vuelve a la pantalla del menú anterior, retrocede un paso, cierra las ventanas abiertas, y vuelve a la pantalla principal o a la pestaña de inicio.
 8. Opciones: muestra las opciones de configuración. (si están disponibles)
 9. Pausar/reproducir: pausa/reproduce el contenido seleccionado.
 10. Retroceder: retrocede el vídeo en contenidos como películas y retrocede un día en la guía de canales.
 11. Avanzar rápido: avanza el vídeo en contenidos como películas y avanza un día en la guía de canales.
 12. Guía: muestra la guía de canales.
 13. Volumen +/-: aumenta o reduce el nivel de volumen.
 14. Programa +/-: avanza o retrocede el número de canal en el modo de televisión en directo.
 15. Silenciar: desactiva por completo el volumen del televisor.
 16. Botones numéricos: cambia el canal en el modo de televisión en directo e introduce un número o una letra. en el cuadro de texto de la pantalla.
 17. Subtítulo: muestra las opciones de audio y subtítulos, donde puedes cambiar las preferencias de idioma, tamaño y estilo (si están disponibles).
 18. TXT: abre y cierra el teletexto (si está disponible en el modo de televisión en directo).
 19. Acceso directo a canales destacados: le permite acceder directamente a los canales destacados.
- Nota: las aplicaciones están sujetas al control remoto real.
20. Botones de colores: sigue las instrucciones que aparecen en pantalla para las funciones de los botones de colores.

* Para emparejar el mando a distancia con el televisor

Al encender el televisor por primera vez, se realizará el proceso de emparejamiento del mando a distancia durante la configuración inicial. El mando a distancia debería emparejarse automáticamente con el televisor en ese momento, pero si no se ha emparejado correctamente, sigue las instrucciones que aparecen en pantalla para emparejarlo. Si tienes problemas para emparejar el mando a distancia con el televisor, puedes apagar otros dispositivos inalámbricos e intentarlo de nuevo.

Información de radio

- Margen de frecuencias del transmisor Bluetooth®: 2402–2480 MHz
 - Potencia del transmisor Bluetooth®: <10dBm
 - Margen de frecuencias del transmisor Wi-Fi 2,4 G: 2412–2472 MHz
 - Potencia del transmisor Wi-Fi 2,4 G: <20dBm
 - Margen de frecuencias del transmisor Wi-Fi 5 G:
 - Banda 1: 5150–5250MHz (<20dBm)
 - Banda 2: 5250–5350MHz (<20dBm)
 - Banda 3: 5470–5725MHz (<20dBm)
 - Banda 4: 5725–5850MHz (<14dBm)
 - Margen de frecuencias del sintonizador de radio DVB-C: 50–862MHz
 - Margen de frecuencias del sintonizador de radio DVB-T/T2: 470–862MHz
 - Margen de frecuencias del sintonizador de radio DVB-S/S2: 950–2150 MHz
- * En todos los estados miembros de la UE, el funcionamiento en el margen de frecuencias de 5150–5350 MHz está restringido solo para interiores.

	BE	BG	CZ	DK	DE	EE	IE
	EL	ES	FR	HR	IT	CY	LV
	LT	LU	HU	MT	NL	AT	PL
	PT	RO	SI	SK	FI	SE	UK(NI)

Aviso OSS

Este producto usa la GPL (versión 2 y 3) y la LGPL (versión 2.1) y MPL (versión 1.1).

Para enviar consultas y solicitudes de preguntas referentes a fuente abierta, póngase en contacto con la oficina TCL más cercana.

Este producto usa programas de software que se distribuyen bajo licencia del Independent JPEG Group.

Este producto usa programas de software que se distribuyen bajo licencia de libpng Project.

Este producto usa programas de software que se distribuyen bajo licencia de Freetype Project.

Este producto usa programas de software que se distribuyen bajo licencia de zlib Project.

Este producto usa programas de software (libxml2, curl, expat, c-areas) que se distribuyen bajo licencia del MIT.

Este producto usa CyberLink para C que se distribuye bajo licencia de Open Source Project.

Este producto usa opensl, xerces que se distribuye bajo licencia de Apache License Project.

Software GPL: Linux Kernel, glib, libiconv, gcc libgcc, gcc libstdc++, u-Boot loader, ffmpeg, util-linux-ng, e2fsprogs, wget, iptables

Software LGPL: DFB (DirectFB), gstreamer, gst-plugins-base, gst-plugins-good, gst-plugins-bad, gst-plugins-ugly, gst-ffmpeg, glibc, wpa_supplicant

Software BSD: wepb, mng, uriparser

Software GNU: dosfstools

[Declaración legal] de TCL – fabricante de este televisor

Debido a las diversas capacidades de los productos que presentan los Servicios Smart TV, así como las limitaciones en los contenidos disponibles, ciertas características, aplicaciones y servicios pueden no estar disponibles en todos los dispositivos o en todos los territorios. Algunas características del Smart TV pueden necesitar también el uso de dispositivos periféricos adicionales o tasas de membresía que se venden por separado. Por favor, visite nuestra página Web para obtener más información específica sobre el dispositivo y sobre la disponibilidad de contenidos. Los servicios y la disponibilidad de contenidos a través de Smart TV están sujetos a cambios cada cierto tiempo y sin previo aviso.

Todos los contenidos y servicios accesibles a través de este dispositivo pertenecen a terceras personas y están protegidos por derechos de autor, patentes, marcas registradas y/u otras leyes de propiedad intelectual. Dichos contenidos y servicios se proporcionan únicamente para su uso personal no comercial. Es posible que no pueda emplear contenidos o servicios por no haber sido autorizado por el propietario de los contenidos o el proveedor de servicio. Sin limitación de lo anterior, salvo que se autorice expresamente por el propietario de contenido aplicable o el proveedor de servicios, no puede modificar, copiar, publicar de nuevo, cargar, publicar, transmitir, traducir, vender, crear trabajos derivados, explotar ni distribuir de ninguna forma ni por ningún medio ningún contenido o servicio que se muestre a través de este dispositivo.

USTED RECONOCE Y ADMITE EXPRESAMENTE QUE EL USO DEL DISPOSITIVO SE HARÁ POR SU CUENTA Y RIESGO Y QUE EL RIESGO TOTAL EN CUANTO A LA SATISFACCIÓN CON SU CALIDAD, SU RENDIMIENTO Y SU PRECISIÓN LO ASUME USTED. EL DISPOSITIVO Y LOS CONTENIDOS Y SERVICIOS DE TERCERAS PERSONAS SE PROPORCIONAN "TAL Y COMO ESTÁN" SIN GARANTÍA DE NINGÚN TIPO, NI EXPLÍCITA NI IMPLÍCITA. TCL RENUNCIA EXPRESAMENTE A TODAS LAS GARANTÍAS Y CONDICIONES RESPECTO AL DISPOSITIVO Y A CUALESQUIERA CONTENIDOS Y SERVICIOS, YA FUEREN EXPLÍCITOS O IMPLÍCITOS, INCLUYENDO PERO NO LIMITÁNDOSE A GARANTÍAS DE COMERCIABILIDAD, DE CALIDAD SATISFACTORIA, IDONEIDAD PARA UN FIN ESPECÍFICO, DE PRECISIÓN, DE DISFRUTE TRANQUILO, Y DE NO VULNERACIÓN DE LOS DERECHOS DE TERCERAS PERSONAS. TCL NO GARANTIZA LA PRECISIÓN, VALIDEZ, ACTUALIZACIÓN DE DATOS, LEGALIDAD O INTEGRIDAD DE NINGÚN CONTENIDO O SERVICIO DISPONIBLE A TRAVÉS DE ESTE DISPOSITIVO Y NO GARANTIZA QUE EL DISPOSITIVO, CONTENIDOS O SERVICIOS SATISFAGAN SUS NECESIDADES, NI QUE EL FUNCIONAMIENTO DEL DISPOSITIVO O SERVICIOS QUEDE INTERRUMPIDO O ESTÉ LIBRE DE ERRORES. TCL NO ASUMIRÁ NINGUNA RESPONSABILIDAD, BAJO NINGUNA CIRCUNSTANCIA, INCLUYENDO NEGLIGENCIA, POR CUALESQUIERA DAÑOS DIRECTOS, INDIRECTOS, IMPREVISTOS, ESPECIALES O CONSECUENTES, MINUTAS DE ABOGADOS O CUALESQUIERA OTROS DAÑOS QUE SE DERIVEN DE O EN CONEXIÓN CON, CUALQUIER INFORMACIÓN CONTENIDA EN, O COMO RESULTADO DEL USO DEL DISPOSITIVO O DE CUALQUIER CONTENIDO O SERVICIO AL QUE ACCEDA USTED O CUALESQUIERA TERCERAS PERSONAS, AÚN CUANDO SE LE ADVIERTA DE LA POSIBILIDAD DE TALES DAÑOS.

Los servicios de terceras personas se pueden modificar, suspender, eliminar, terminar o interrumpir o se puede anular el acceso en cualquier momento, sin previo aviso, y TCL no representa ni garantiza que ningún contenido o servicio permanezca disponible durante ningún período de tiempo. Los contenidos y servicios se transmiten por terceras personas a través de instalaciones y redes sobre las cuales TCL no tiene control alguno. Sin limitar la generalidad del presente descargo de responsabilidad, TCL rechaza expresamente cualquier responsabilidad por cualesquiera cambios, interrupciones, desactivaciones, retiradas o suspensión de cualesquiera contenidos o servicios disponibles a través de este dispositivo. TCL puede imponer límites al uso o acceso a ciertos contenidos o servicios, en cualquiera de los casos y sin aviso ni responsabilidad. TCL no es responsable ni asume ninguna responsabilidad por el servicio de atención al cliente en relación con los contenidos o servicios. Cualquier pregunta o solicitud de servicio en relación con el contenido o servicios debe realizarse directamente a los proveedores de los contenidos o servicios.

Actualización del dispositivo

Normalmente, algunos dispositivos se actualizarán trimestralmente, pero no siempre son tan específicos. Algunos dispositivos, especialmente los que se han vendido hace tres años, solo se actualizarán en caso de existir vulnerabilidad crítica y la reparará.

Información para usuarios sobre la eliminación de Equipos viejos y Baterías/Pilas usadas

[Unión Europea]



Productos



Pb
Batería

Aviso:

El signo Pb debajo del símbolo de las pilas indica que esa pila/batería contiene plomo.

Estos símbolos indican que los equipos electrónicos y las pilas marcadas con este símbolo no se deberían eliminar arrojándolos a la basura doméstica al final de su vida útil. En lugar de ello, los productos deben entregarse en los puntos de recogida aplicables para el reciclaje del equipamiento eléctrico y electrónico, además de las baterías, para un tratamiento, recuperación y reciclaje adecuados de acuerdo a su legislación nacional y a la Normativa 2012/19/EU, 2006/66/EC y 2008/12/EC.

Eliminando los productos correctamente, ayudará a conservar los recursos naturales y ayudará a evitar los efectos negativos potenciales en el medio ambiente y en la salud humana, que de lo contrario serían causados por una manipulación inapropiada de la basura de estos productos.

Para más información sobre los puntos de recogida selectiva y reciclaje de estos productos, por favor contacte con su oficina municipal, con el servicio de recogida de basuras o con la tienda en la que compró el producto.

Pueden ser impuestas multas por una eliminación incorrecta de esta basura, según indica la legislación nacional.

[Propietarios de negocios]

Si desea deshacerse de este producto, por favor contacte con su suministrador y compruebe los términos y condiciones del contrato de compra.

[Otros países no pertenecientes a la Unión Europea]

Estos símbolos sólo son válidos en la Unión Europea. Si usted desea deshacerse de estos elementos, por favor hágalo de acuerdo con la legislación nacional aplicable o con otras normas de su país para el tratamiento de equipos eléctricos viejos, y baterías usadas.

Amazon, Fire, y todas las marcas relacionadas son marcas comerciales de Amazon.com, Inc. o sus filiales. Este televisor es un producto de TCL. TCL no está afiliado con Amazon ni con ninguno de sus sociedades filiales. Para utilizar servicios en línea es necesario registrar el televisor con una cuenta de Amazon

Estimado cliente,

Por la presente, TCL declara que este dispositivo cumple con la Directiva 2014/53/UE. El texto completo de la declaración de conformidad de la UE se encuentra disponible en la siguiente dirección: www.tcl.com

TCL Operations Polska Sp. z o.o.
ul. A. Mickiewicza 31/41
96-300 Żyrardów, Poland

Correo electrónico: zyeee@tcl.com

Las figuras e ilustraciones que aparecen en este Manual de Usuario se presentan únicamente a modo de referencia y pueden diferir de la apariencia real del producto. El diseño y las especificaciones del producto pueden variar sin previo aviso.

