

B1

Mini ITX-Chassis



————— User Manual —————



Product Story

The B1 and B1 Pure's extremely small footprint is perfect for small form factor builds such as HTPCs, light gaming PCs or even a LAN rig. The integrated ventilation in the exquisite streamline design provides a better thermal solution, and you can set up your PC vertically or horizontally! The B1 and B1 Pure come with prebuilt InWin 200W, 80 PLUS Gold PSU, InWin 80mm fan and an anti-dust filter. Use the B1 or B1 Pure to match your lifestyle!



Specifications

Model	B1, B1 Pure
Model Number	IW-CS-B1BLK-PS200W, IW-CS-B1WHI-PS200W
Colors	Black, White
Case Type	Mini-ITX Tower
Case Materials	B1: Tempered Glass, ABS B1 Pure: Plywood, ABS
M/B Compatibility	Mini-ITX 6.7 x 6.7" (17 x 17 cm)
Expansion Slots	N/A
Maximum Compatibility	CPU Heatsink Height: 60 mm
I/O Ports	1 x USB 3.0 HD Audio (CTIA – SPK/Mic)
Internal Drive Bays	2 x 2.5"
Thermal Solution Compatibility	Side: 1 x 80 mm x 15 mm (Diameter x Thickness)
Power Supply Compatibility	InWin 200W PSU Included
AC Input/Efficient	AC Input: 100 - 240V / 80 PLUS Gold
Product Dimensions (L x W x H)	108 x 302 x 238 mm 4.3 x 11.9 x 9.4"
Package Dimensions (L x W x H)	287 x 336 x 141 mm 11.3 x 13.2 x 5.6"
Net Weight	1.65 kg / 3.6 lbs
Gross Weight	1.95 kg / 4.3 lbs

* InWin products comply with RoHS regulations.

* Specifications may vary based on different regions.

Specifications

InWin 200W 80PLUS GOLD PSU

Model	IP-AD200C7-2	
Total Power	200W	
Material	SECC	
Type	ITX	
PFC	Active PFC (> 0.95)	
Efficiency	80 PLUS® Gold (Up to 90%)	
MTBF (Hours)	> 100,000 hrs.	
AC Input	100 – 240Vac. 50-60Hz	
Operating Temperature Range(° C)	0–40° C	
Full Protection	OVP / UVP / SCP / OPP	
Safety Certifications	TUV / cTUVus / BSMI / CB / CE / FCC / EAC / RCM / CCC	
Dimensions (L x W x H)	52 x 40 x 170 mm 2.05 x 1.6 x 6.7"	
Warranty	3 Years	
Connectors	20+4 Pin Motherboard	1
	8 (4+4) Pin CPU	1
	8 (6+2) Pin PCI-E	0
	4 Pin Peripheral	0
	SATA (90 Degree)	1
	Floppy	0

* InWin products comply with RoHS regulations.

* Specifications may vary based on different regions.

Specifications

InWin 80mm Side Fans

Model	DF0801512SELN
Fan Size	80 x 80 x 15 mm
Materials	PBT
Rated Voltage	DC 12V
Rated Power	2.16W
Rated Current	0.18A
Speed Mode	PWM 600 - 2000 +/-10% RPM
Air Flow	20.05 CFM
Air Pressure	1.08mm/ H2O
Connector	4-Pin
Noise Level	23.55 dB(A)
Bearing Type	Long Lifespan Sleeve Bearing

* InWin products comply with RoHS regulations.

* Specifications may vary based on different regions.

Package Contents



1. B1 Chassis
2. InWin 200W 80 PLUS Gold PSU
3. InWin 80mm Side fan x 1
4. QR Code Card
5. Accessories Bag

Accessories Bag

a



b



c



d



a. Hexagon Head Screws X 8

b. 2.5" HDD Screws X 10

c. Cable Ties X 5

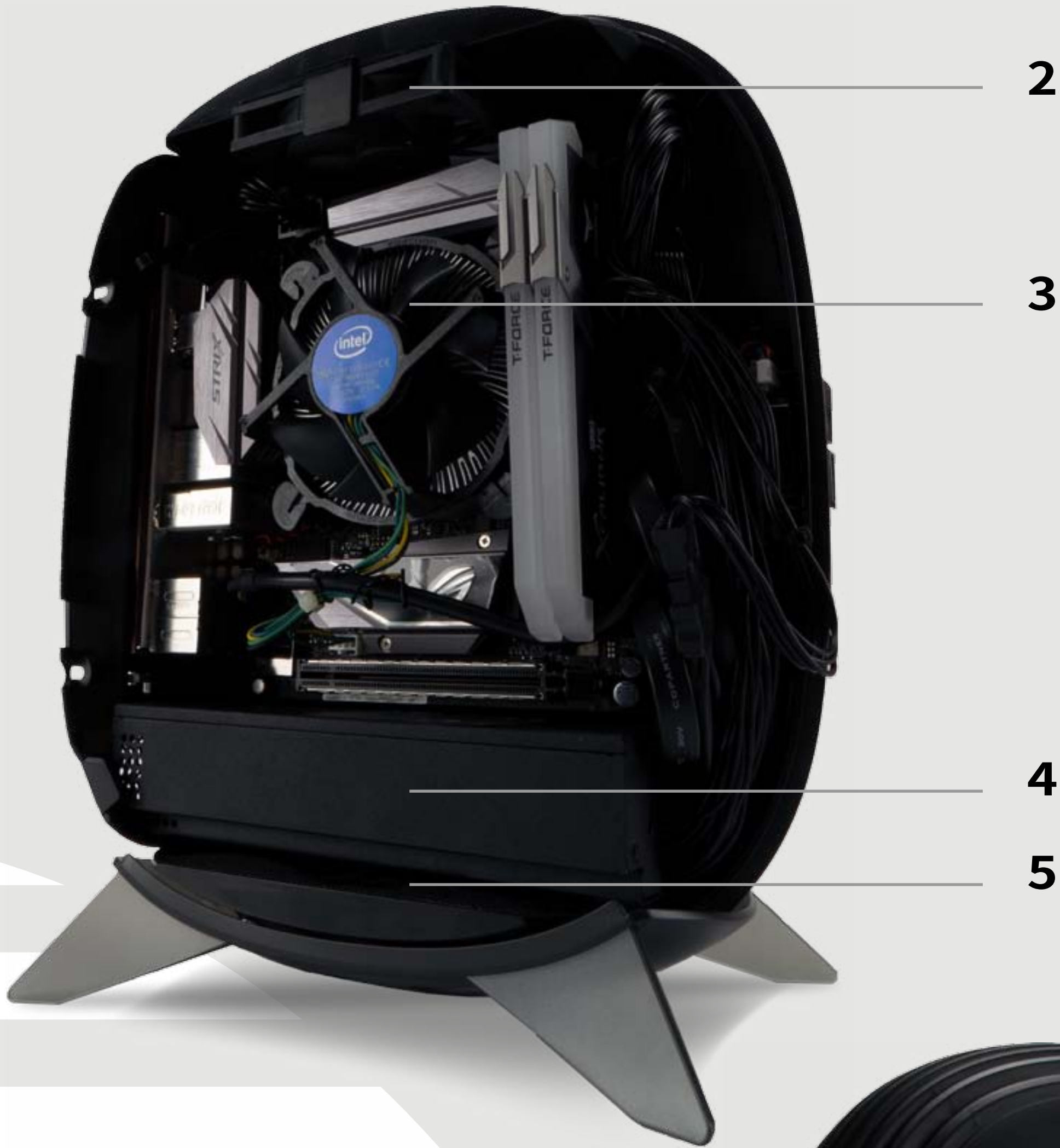
d. Foot-Stand Stickers X 4

Case Structure



1. Tempered Glass
2. Logo
3. Power Button
4. HDD/Power LED indicator
5. USB 3.0 Port
6. HD Audio Port (CTIA – SPK/Mic)
7. Removable Foot-stand
8. Release Panel

Case Structure



1



1. 2.5" Drive Bay
2. InWin 80mm Side Fan
3. Motherboard Mounting Area
4. InWin 200W 80 PLUS Gold PSU
5. Fan Dust Filter

Installation Guide

(Please follow the related chapters to assemble)

01

Opening the Chassis

Please release the three screws and lift up the top cover (yellow part).
Lift it from the two sides (green part).



02

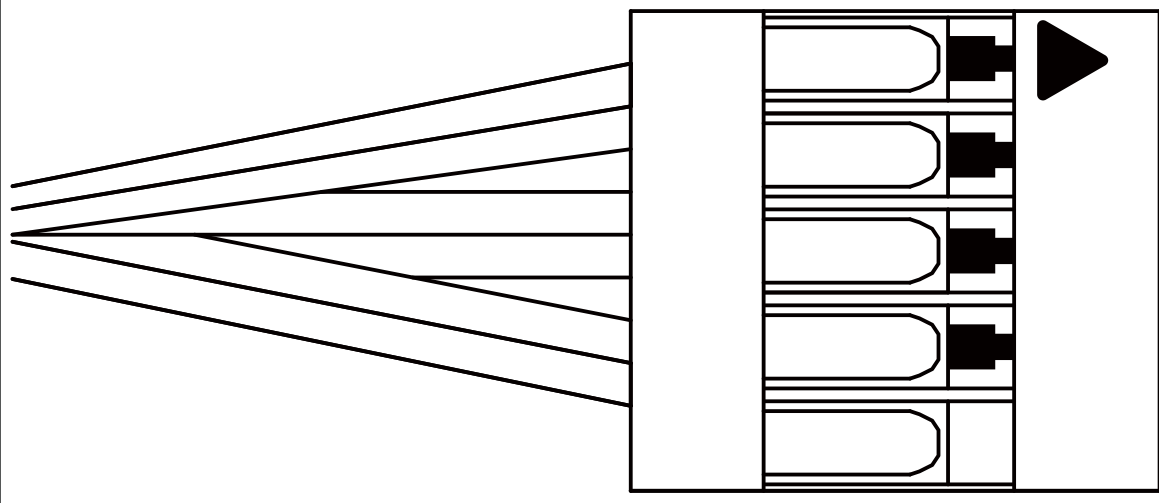
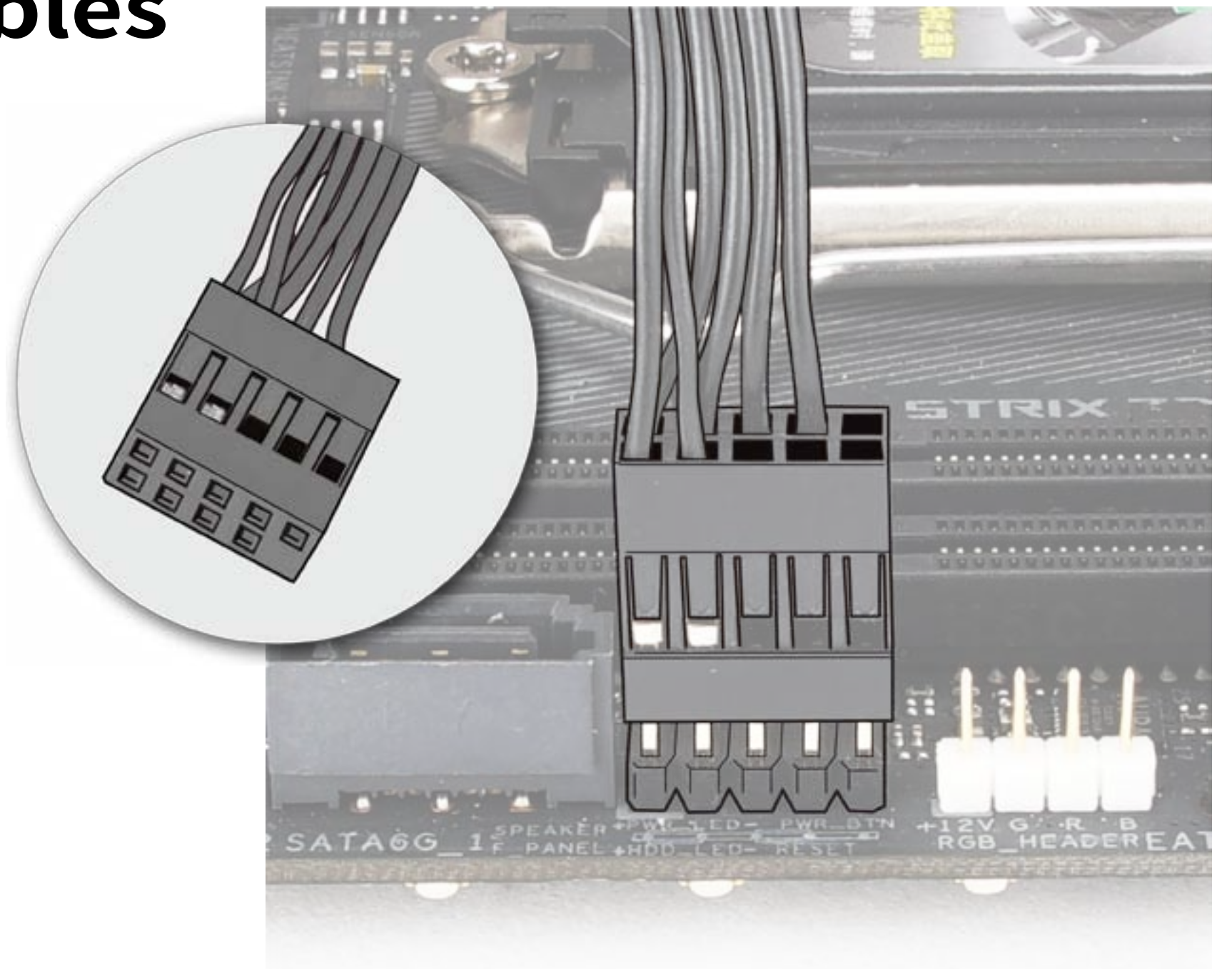
Motherboard Installation

Parts Required: Hexagon Head Screws



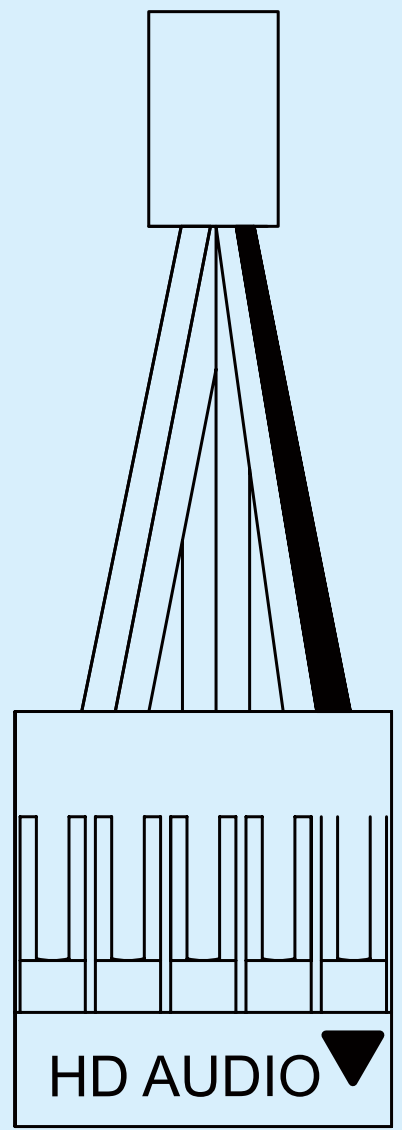
03 Connection Cables

Switch/LED Connector



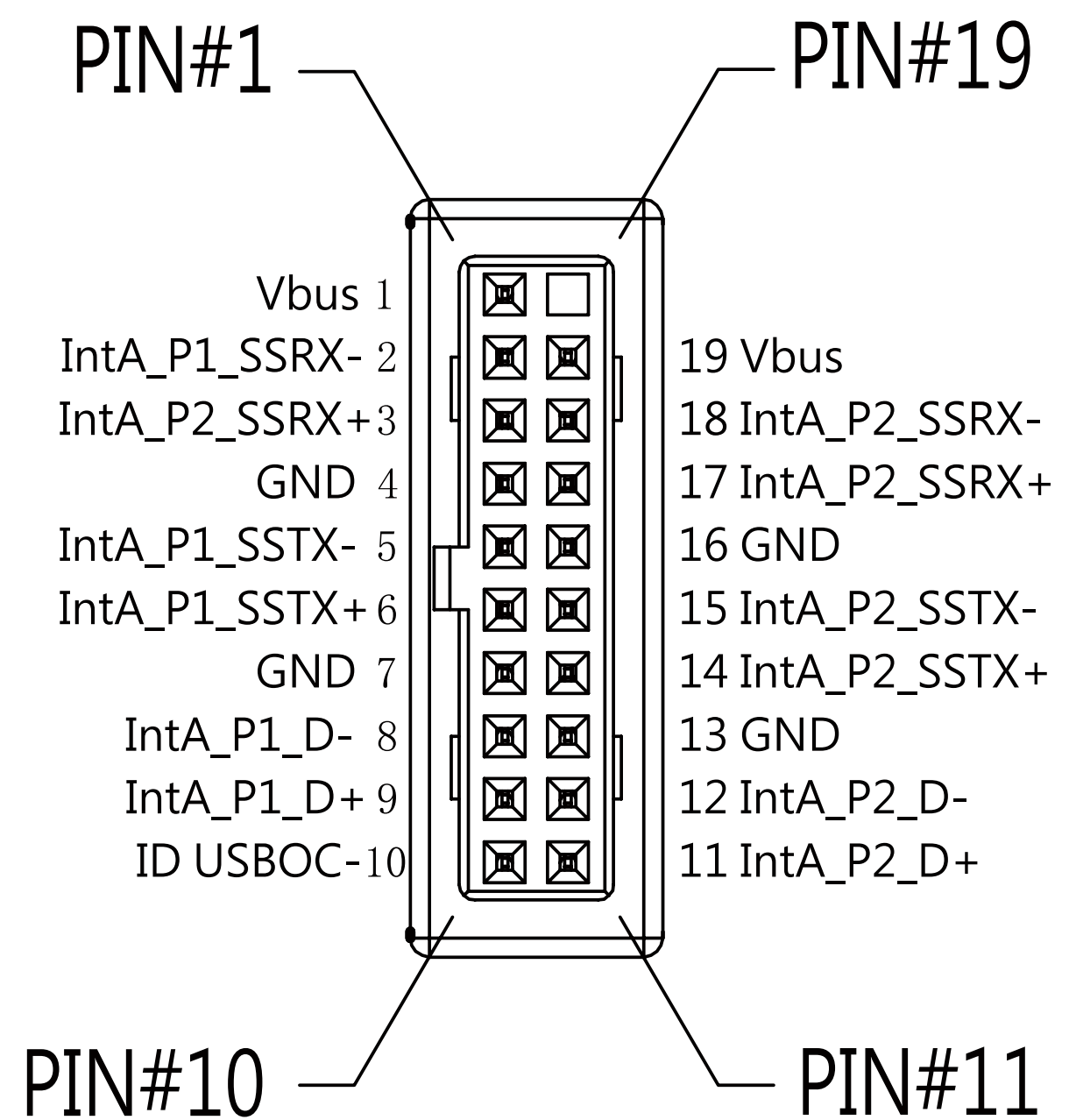
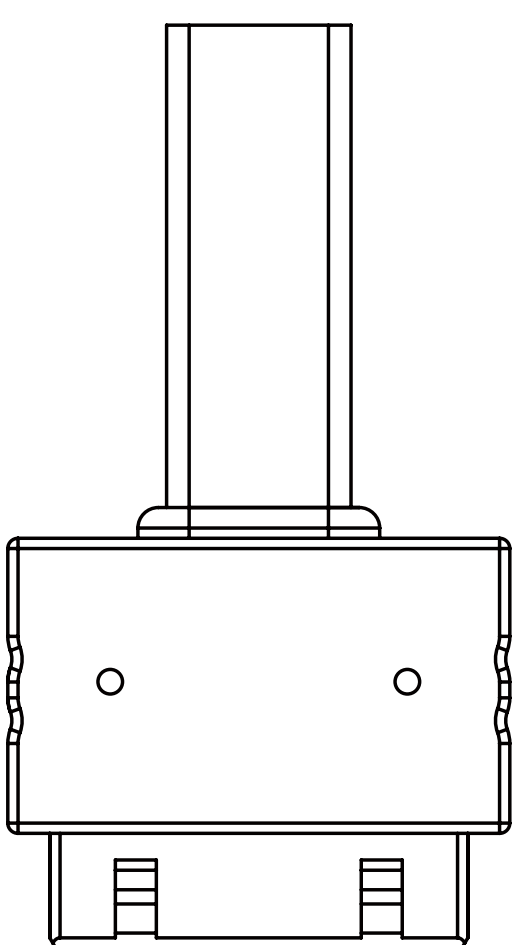
Black(P_LED) 1	⊗	⊗	2 Black (HDD)
Black(P_LED) 3	⊗	⊗	4 Black (HDD)
Black(P_SW) 5	⊗	⊗	6 NC
Black(P_SW) 7	⊗	⊗	8 NC
Key 9	■	⊗	10 NC

HD Audio Header

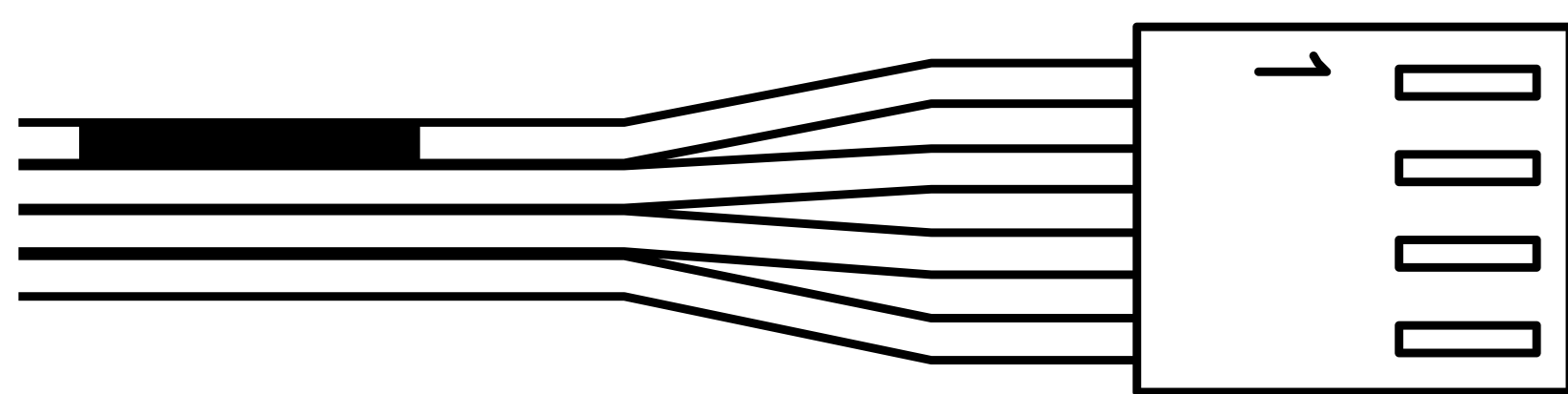


PORT2_L	BLUE	10	⊗	⊗	9 BROWN	SENSE2_R
SENSE_SEND	PURPLE	8	⊗	■	7	KEY
PORT2_R	YELLOW	6	⊗	⊗	5 WHITE	SNSE1_R
PORT1_R	RED	4	⊗	⊗	3 ORANGE	PRESENCE#
PORT1_L	GREEN	2	⊗	⊗	1 BLACK	GND

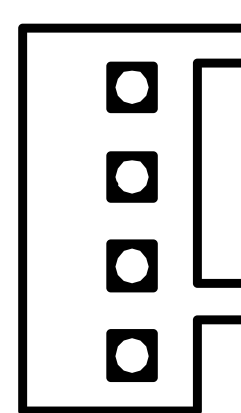
USB 3.0 Header



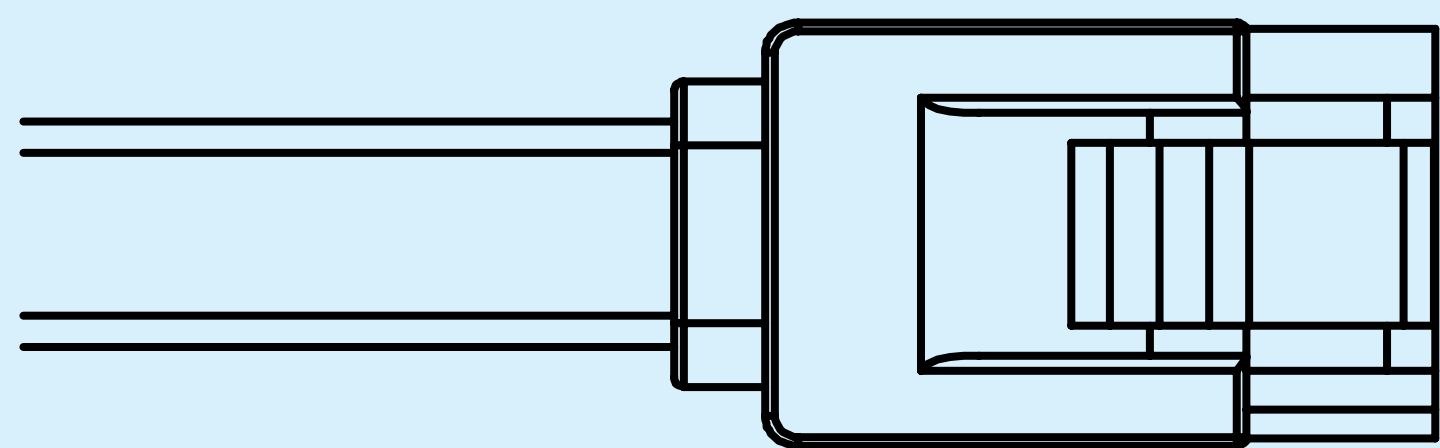
Fan



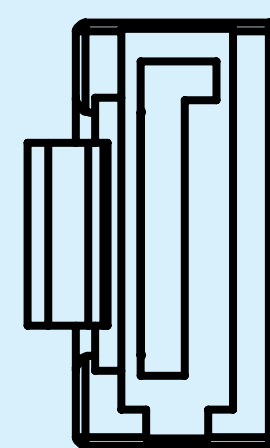
- 1 PWM
- 2 TACH
- 3 12+
- 4 GND



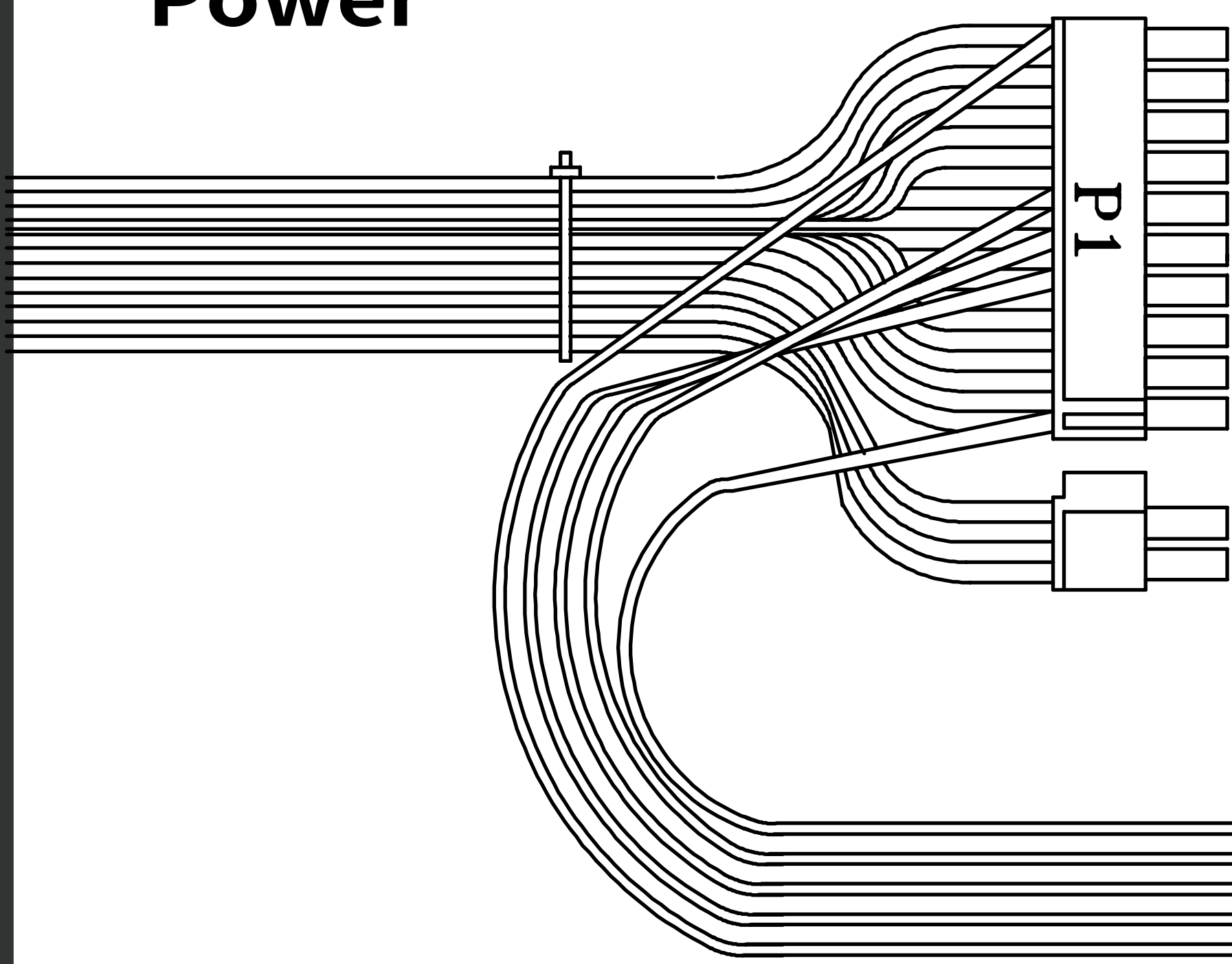
SSD



1
2
3
4
5
6
7

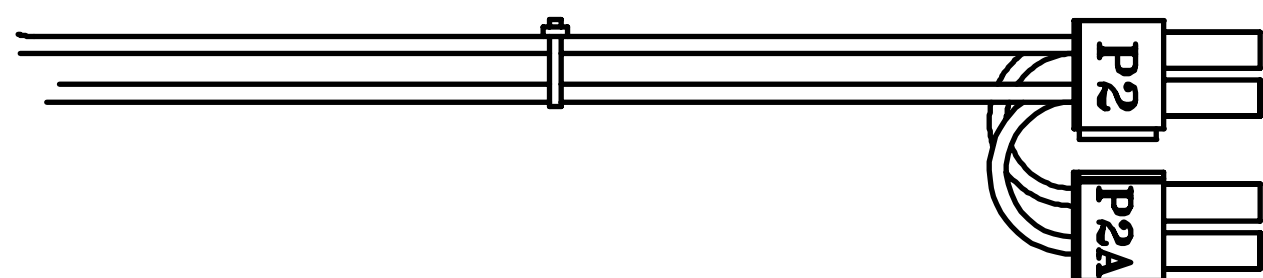


Power



- | | | | | |
|-------|----|--|----|--------|
| +3.3V | 1 | | 13 | +3.3V |
| +3.3V | 2 | | 14 | -12VDC |
| COM | 3 | | 15 | COM |
| +5VDC | 4 | | 16 | PS-ON |
| COM | 5 | | 17 | COM |
| +5VDC | 6 | | 18 | COM |
| COM | 7 | | 19 | COM |
| PW-OK | 8 | | 20 | N/A |
| +5VSB | 9 | | 21 | +5VDC |
| +12V | 10 | | 22 | +5VDC |
| +12V | 11 | | 23 | +5VDC |
| +3.3V | 12 | | 24 | COM |

- | | |
|---|-------|
| 1 | +12V |
| 2 | COM |
| 3 | +5VDC |
| 4 | COM |
| 5 | +3.3V |



- | | | | |
|-------|--|---|------|
| COM 1 | | 3 | +12V |
| COM 2 | | 4 | +12V |
| COM 1 | | 3 | +12V |
| COM 2 | | 4 | +12V |

04

2.5” Drive Bays Installation

Parts Required: 2.5” HDD Screws



i. Release the two screws and remove the bottom cover.



ii. Install the 2.5” HDD screws on your SSD screw holes.



iii. Attach the SSD in the designated area and push towards the SATA direction.

04

How to Uninstall the 2.5” Drive Bays



i. Push the panel



ii. Pull towards the direction to release it.

05

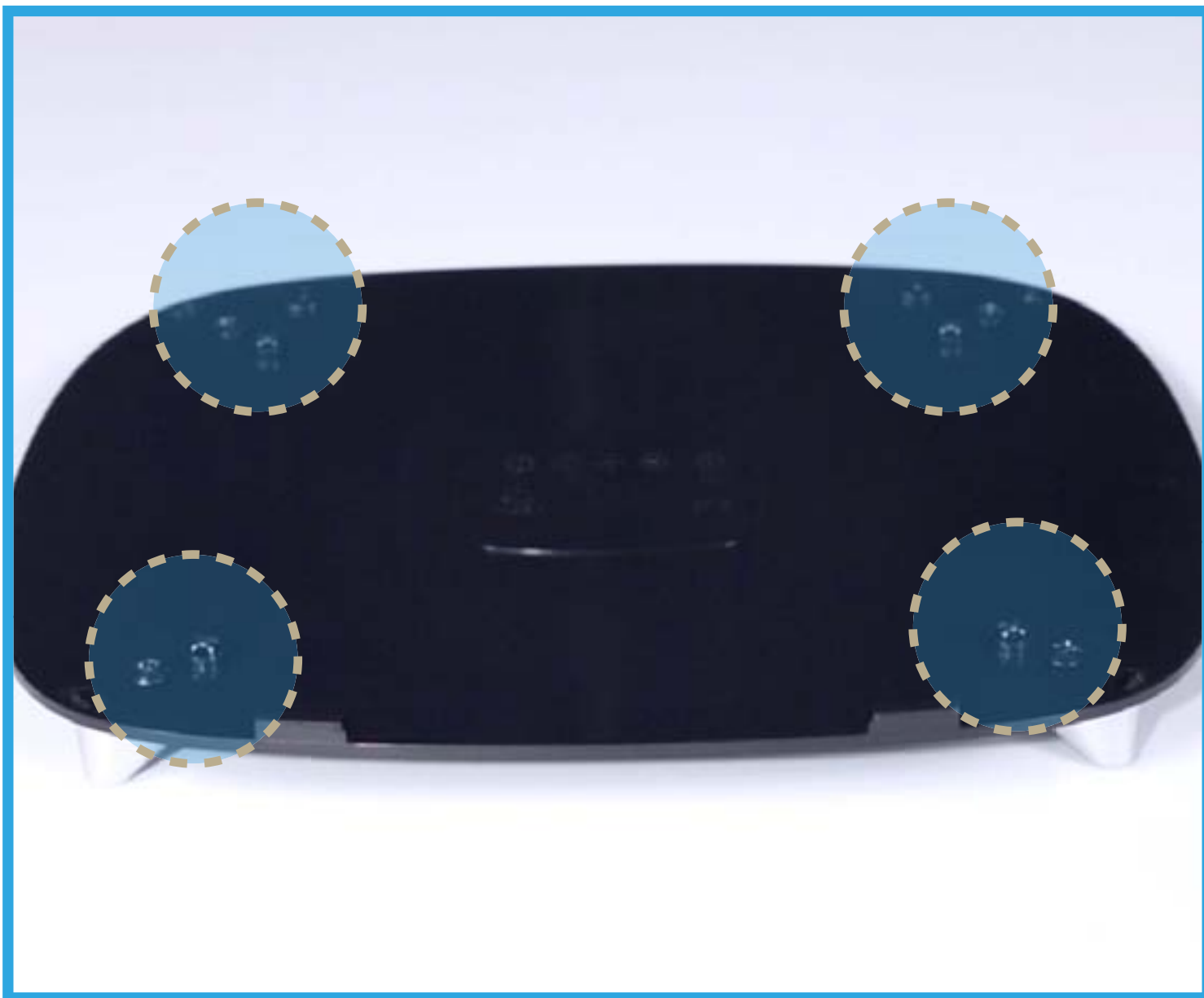
Foot-Stand Stickers Installation (Optional)

Note: After installed, the stickers will be hard to remove. Please use wisely, we suggest using the chassis on vertical position for a better look.

Parts Required: Foot-stand Stickers



i. Release the two screws and remove the bottom cover.



ii. Release the screws of the foot-stand and detach the foot-stand.



iii. Place the stickers on each designated area.

06

Completing Installation

Parts Required: Cable Ties

*For more installation instructions, please scan the QR Code below or watch the video in the website link:

<https://youtu.be/cHm2nA2liQY>



BY

Mini ITX-Chassis



Notices and Warranty

■ Notices

1. Please follow the user manual for installation guidelines.
2. When installing the computer components, please use antistatic precautions to prevent ESD (electrostatic discharge) damage. Failure to take the necessary precautions may result in injury to the installer and/or damage to the machine. Incorrect installation may burnout the motherboard and other system components.
3. To avoid any damages, please do not use this product for any other purpose than its intended use.
4. Any modifications may damage the product.
5. Please handle with care when moving the case.
6. When storing the case, please keep this product away from high temperatures. Keep away from machines such as heaters that might cause high temperatures.
7. Please do not put anything in the impeller.
8. Please do not touch the fan blades when the fan is in operation. Please only use your fan in the computer case.

■ Warranty

- * For more detailed warranty information, please visit the InWin retail website at www.in-win.com.
- * The actual product is subject to change without prior notice. In Win Development Inc. reserves the right to make final modifications.



InWin

CONTEMPORARY & INNOVATIVE

w w w . i n - w i n . c o m